

SP-C121

› Intel® Apollo Lake Platform SoC Fanless and Low Power
12.1" Flat Touch Panel PC

NEW



Features



- Intel® Celeron® J3455 / N3350 / Atom® x5-E3940 processor on board
- Fanless and quiet design
- Aluminum front bezel
- Supports 5-wire resistive touchscreen
- Optional Wireless LAN module
- Optional mSATA module

Specifications



System

CPU Type	Intel® Celeron® J3455, N3350 processor Intel® Atom® x5-E3940 processor
Chipset	Intel® SoC
Memory Support	1 x DDR3L 1600/1866 memory up to 8GB (non-ECC)
Storage	1 x 2.5" SATA III HDD or SSD
Expansion Slot	1 x full-sized mSATA slot (with SATA and USB signal) 1 x full-sized mPCIe slot (with PCIe and USB signal)
Front Bezel	Aluminum
IP65	Yes (for front panel only)
Power Input	DC In 12V only
Watchdog	1~255 second watchdog timer selectable
Operating System	Windows 10 64bit / Ubuntu17.04 (kernel: 4.4)
Dimensions	324 x 253 x 71 mm (12.75" x 9.96" x 2.8") (W x H x D)
System Weight	3.55 kg
Mounting Support	VESA 75
Certification	FCC / CE

Display

LCD	12.1" TFT LCD (LED) resolution 1024 x 768
Touchscreen	5-wire Analog resistive (USB interface)

Applications

- Automation
- Retail
- Information

I/O Ports

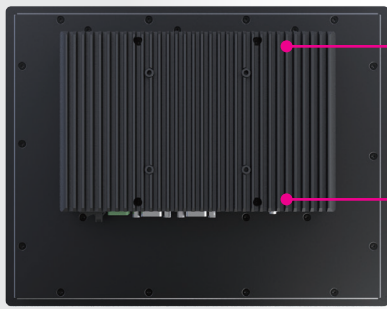
USB	2 x USB 3.0
Audio	1 x Line-out
DP Port	1 x DP1.2, resolution: up to 4096 x 2160 @60Hz
LAN	1 x GbE LAN (supports Wake-On-LAN) 2 x COM ports
Serial Port	COM 1: RS-232 COM 2: RS-232/422/485 (selectable under BIOS)

Environment

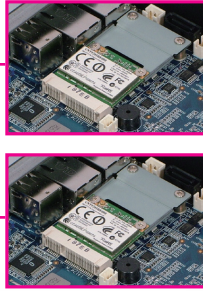
Operating Temp.	HDD: 0°C~45°C (32°F~113°F) (Ambient with airflow) SSD: 0°C~55°C (32°F~131°F) (Audio not included)
Storage Temp.	-20°C~80°C (-4°F~176°F)
Humidity	20%~90%

* All information contained in this document is subject to change without prior notice. Please log on www.protech.com.tw to acquire latest information. For detail mechanics drawing, please contact our sales.

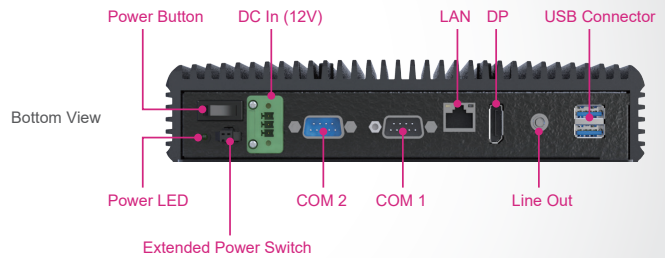
Highlights



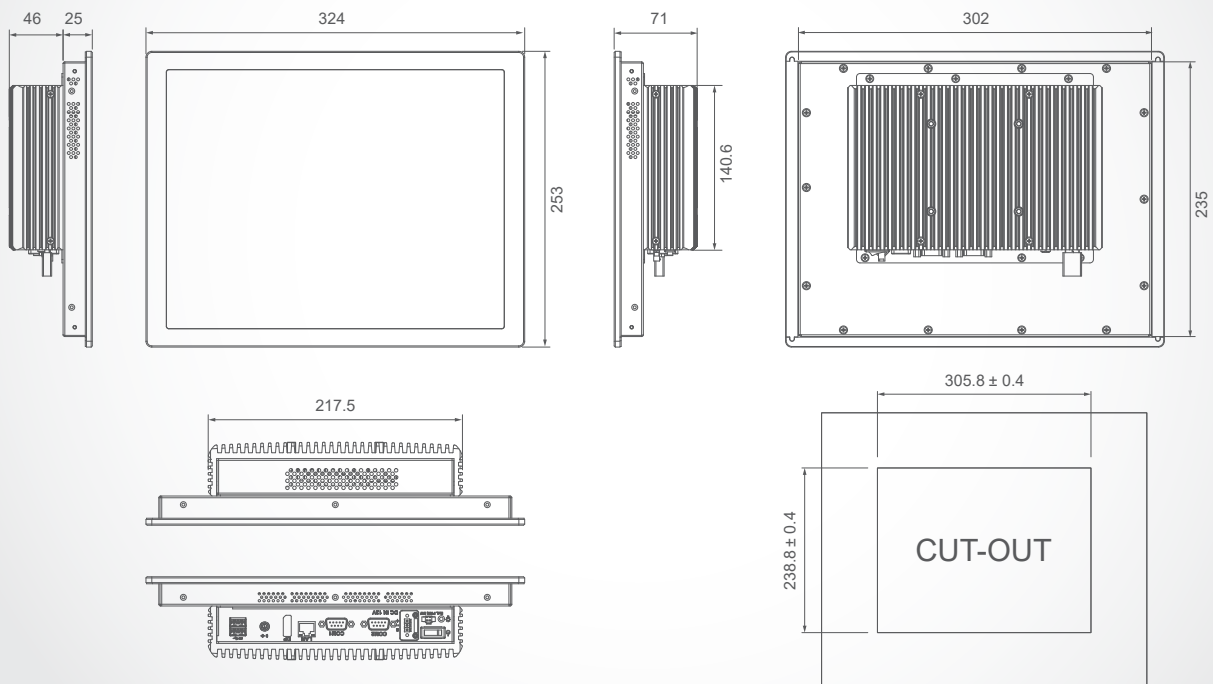
2 x mini PCIe



I/O Panel View



Dimensions



unit: mm