



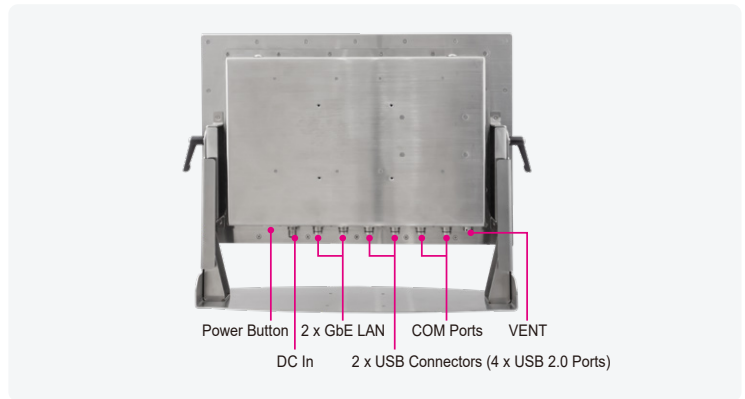
Intel® Celeron® J6412 / Atom® x6425RE Processor Fanless and All-around IP66 / IP69K Stainless 15.6" Panel PC



Features

- Intel® Celeron® J6412/Atom® x6425RE processor on board
- Fanless and quiet design
- Stainless steel SUS304
- All-around IP66/IP69K mechanical design
- M12 waterproof connectors
- Supports 5-wire resistive touchscreen or projected capacitive touchscreen
- Easy Maintenance and key parts installation

I/O Connector



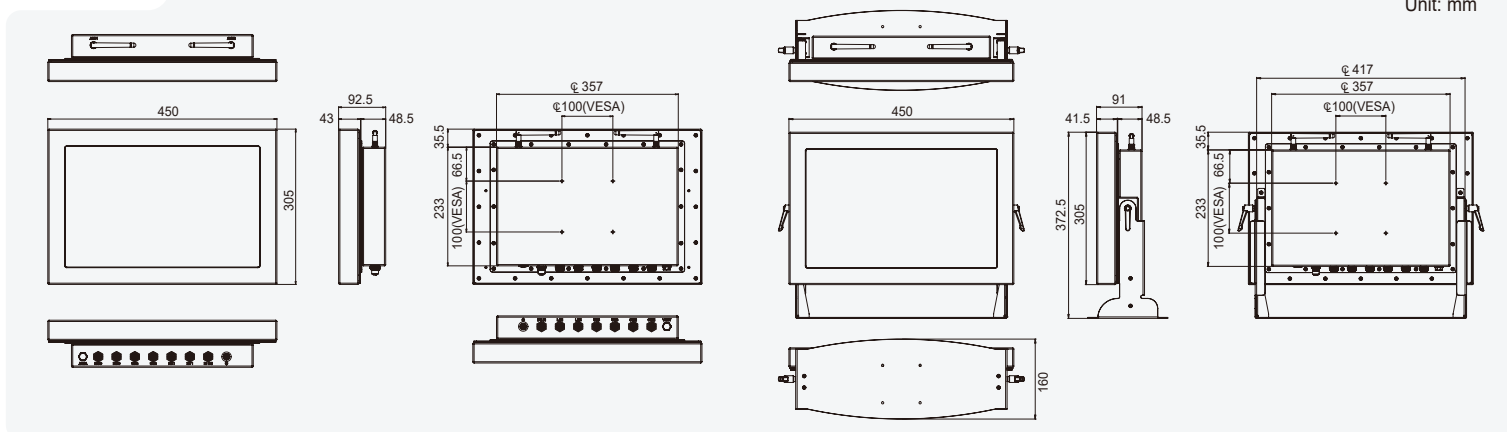
Specifications

System	
CPU Type	Intel® Celeron® J6412 processor Intel® Atom® x6425RE processor
Chipset	Intel® SoC
Memory Support	1 x DDR4 3200MHz SO-DIMM socket (up to 32 GB) (non-ECC)
Enclosure	Stainless SUS304
IP Rating	IP66/IP69K
Power Input	DC In 12V/24V
Watchdog	1~255 second watchdog timer selectable
Operating System	Windows 10 IoT LTSC 2021, 64 bit, Windows 11
Dimensions (W x H x D)	450 x 305 x 91 mm (w/o Stand) 450 x 327.5 x 160 mm (with Stand)
System Weight	13.2 kg
Mounting Support	Wall mount/VESA 100/Stand/Table
Certification	FCC/CE
I/O Ports	
Power Input	1 x M12 waterproof connector, supporting 12V/24V DC
USB	2 x USB 2.0 waterproof connectors (4 x USB ports)
Serial Ports	2 x COM waterproof connectors COM 1 for RS-232/422/485
LAN	2 x 2.5 GbE LANs with M12 waterproof connector, Intel® I255-IT; supports Wake-On-LAN
Storage	1 x 2.5" SATA III SSD 1 x M.2 slot for NVMe SSD (size 2280, PCIeX2)
Expansion Slot	1 x full-sized Mini PCIe slot
Display	
LCD	15.6" TFT LCD (LED) resolution 1366 x 768
Touchscreen	5-wire resistive touchscreen or projected capacitive touchscreen
Environment	
Operating Temp. (Ambient with airflow)	0°C~50°C (32°F~122°F)
Storage Temp.	-20°C~80°C (-4°F~176°F)
Humidity	20%~90%

Application



Dimensions



* All information contained in this document is subject to change without prior notice. Please log on www.protech.com.tw to acquire latest information. For detail mechanics drawing, please contact our sales.