



## Intel® Elkhart Lake Processor Fanless and All-around IP66 / IP69K Stainless 21.5" Panel PC



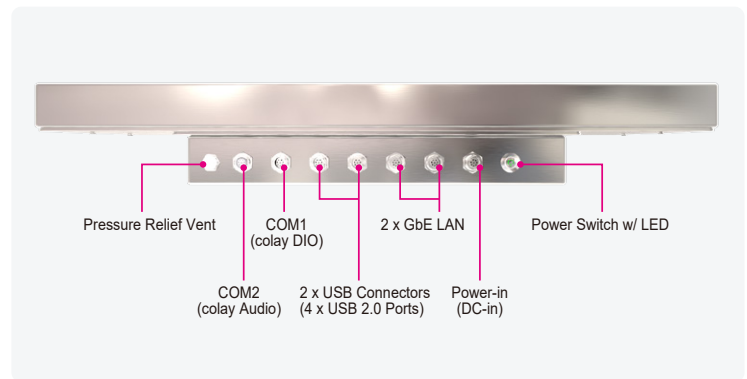
### Features

- Intel® Celeron® J6412 processor on board
- Fanless and quiet design
- Stainless steel SUS304
- All-around IP66 / IP69K mechanical design
- M12 waterproof connectors
- Supports 5-wire resistive touchscreen or projected capacitive touchscreen
- Easy Maintenance and key parts installation

### Specifications

<b>System</b>	
CPU Type	Intel® Celeron® J6412 processor
Chipset	Intel® SoC
Memory Support	1 x DDR4 3200MHz SO-DIMM socket (up to 32GB) (non-ECC)
Enclosure	Stainless SUS304
IP Rating	IP66/IP69K
Power Input	DC In 12V/24V
Watchdog	1~255 second watchdog timer selectable
Operating System	Windows 11, Windows 10 IoT LTSC 64bit, Ubuntu 20.04 (Kernel 5.4)
Dimensions (W x H x D)	590 x 395 x 91 mm (w/o Stand) 590 x 447.5 x 160 mm (with Stand)
System Weight	17 kg
Mounting Support	Wall mount / VESA 100 / Stand
Certifications	FCC / CE
<b>I/O Ports</b>	
Power Input	1 x M12 waterproof connector, supporting 12V/24V DC
USB	2 x USB 2.0 M12 waterproof connectors (4 x USB ports)
Serial Port	2 x COM M12 waterproof connectors with RS-232/422/485
LAN	2 x 1GbE LANs with M12 waterproof connectors supports Wake-On-LAN
Storage	1 x 2.5" SATA III SSD
Expansion Bus	1 x full-sized Mini PCIe slot (Mini PCIe and USB signal)
<b>Display</b>	
LCD	21.5" TFT LCD (LED) resolution 1920 x 1080
Touchscreen	5-wire resistive touchscreen or projected capacitive touchscreen (USB interface)
<b>Environment</b>	
Operating Temp. (Ambient with airflow)	0°C~50°C (32°F~122°F)
Storage Temp.	-20°C~80°C (-4°F~176°F)
Humidity	20%~90%

### I/O Connector

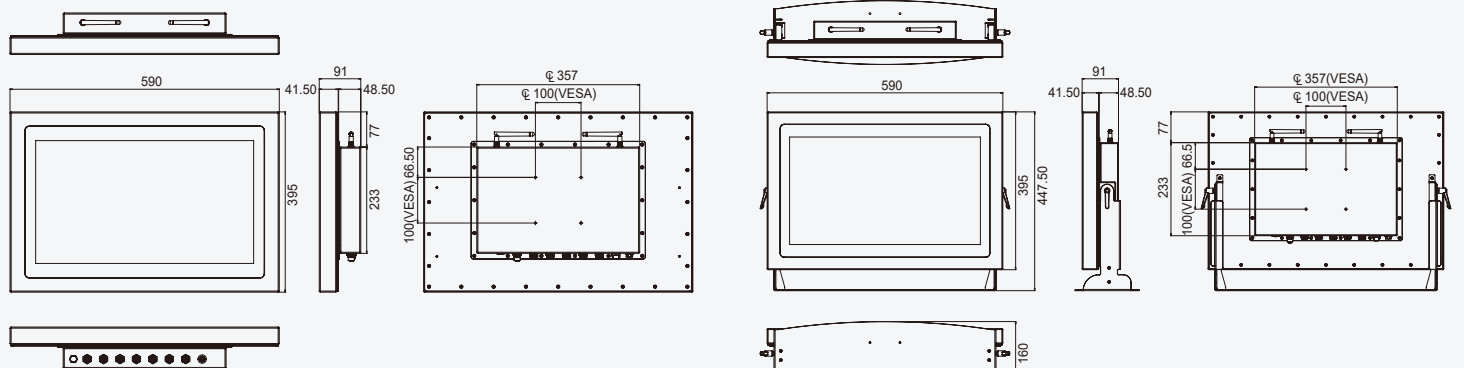


### Application

- Automation
- Information
- Food Service



### Dimensions



\* All information contained in this document is subject to change without prior notice. Please log on [www.protech.com.tw](http://www.protech.com.tw) to acquire latest information. For detail mechanics drawing, please contact our sales.