

NS-205PSE-24V/NSM-205PSE-24V

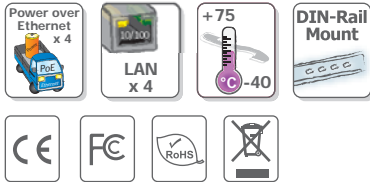
5-Port 10/100 Mbps PoE (PSE) Ethernet Switch with 24 VDC Input

3

Unmanaged Ethernet Switches

NS-205PSE-24V/NSM-205PSE-24V

Highlight Information ▶▶▶



NS-205PSE-24V Series

NSM-205PSE-24V Series



● Introduction

The NS-205PSE-24V/NSM-205PSE-24V is a 5-port unmanaged PoE (Power-over-Ethernet) Industrial Ethernet switch; it supports 4 PoE ports which are classified as power source equipments (PSE). The NS-205PSE-24V/NSM-205PSE-24V makes centralized power supply come true and provides up to 15.4 watts of power per PSE port.

The NS-205PSE-24V/NSM-205PSE-24 is designed with 24 V_{dc} to 48 V_{dc} boost for PoE application where 48 V_{dc} power supply is not available.

● Features

- Automatic MDI/MDI-X crossover for plug-and-play
- Each port supports both 10/100 Mbps speed auto negotiation
- Store-and-forward architecture
- Full duplex IEEE 802.3x and half duplex backpressure flow control
- 3.2 Gbps high performance memory bandwidth
- Power Inputs +18 V_{dc} ~ +32 V_{dc}
- Supports operating temperatures from -40 °C ~ +75 °C
- DIN-Rail
- IEEE 802.3af compliant PoE ports
 - 4-PoE Port with power sourcing equipment (PSE) operation Auto-detection of PD (powered devices) and automatic power management over-temperature, over-current and over/under-voltage detection

● Specifications

Models	NS-205PSE-24V	NSM-205PSE-24V
Technology		
Standards	IEEE 802.3, 802.3u, 802.3x, 802.3af (Power over Ethernet)	
Processing Type	Store & forward; wire speed switching	
MAC Addresses	1024	
Memory Bandwidth	3.2 Gbps	
Frame Buffer Memory	512 Kbit	
Flow Control	IEEE 802.3x flow control, back pressure flow control	
Interface		
RJ-45 Ports	10/100 Base-T(X) auto negotiation speed, F/H duplex mode, and auto MDI/MDI-X connection	
LED Indicators	Power, Link/Act, 10/100M, Power Device is detected	
Ethernet Isolation	1500 V _{rms} 1 minute	
+/-6 kV EMS Protection	Yes	
Power Input		
Input Voltage Range	+18 ~ +32 V _{DC} for PoE output	
Power Consumption	0.24 @ 24 V _{DC} without PD loading	
Protection	Power reverse polarity protection	
Frame Ground for EMS Protection	Yes	
Connection	3-Pin Removable Terminal Block	
PoE Output		
PoE Compliance	100% IEEE 802.3af compliant	
PoE Classification	PSE (Power Sourcing Equipment)	
PoE Voltage	+48 V _{DC} depending on power input	
PoE Power	Up to 15.4 watts per channel	
PoE Operation	Automatic detection and power management	
Mechanical		
Casing	Plastic (Flammability UL 94V-0)	Metal (IP30 Protection)
Dimensions (W x L x H)	31 mm x 157 mm x 113 mm	25 mm x 168 mm x 119 mm
Installation	DIN-Rail	
Environmental		
Operating Temperature	-40 °C ~ +75 °C	
Storage Temperature	-40 °C ~ +85 °C	
Ambient Relative Humidity	10% ~ 90% RH, non-condensing	

● LED Functions

LED Indicator Functions		
LED	Color	Description
Power	Red On	Power is On
	Red Off	Power is Off
Port 1 ~ Port 4	Orange On	Power Device is detected
	Green On	Link/Act
Port 5	Yellow On	Link to 100 Mbps
	Green On	Link/Act

● Pin Function for Terminal Block

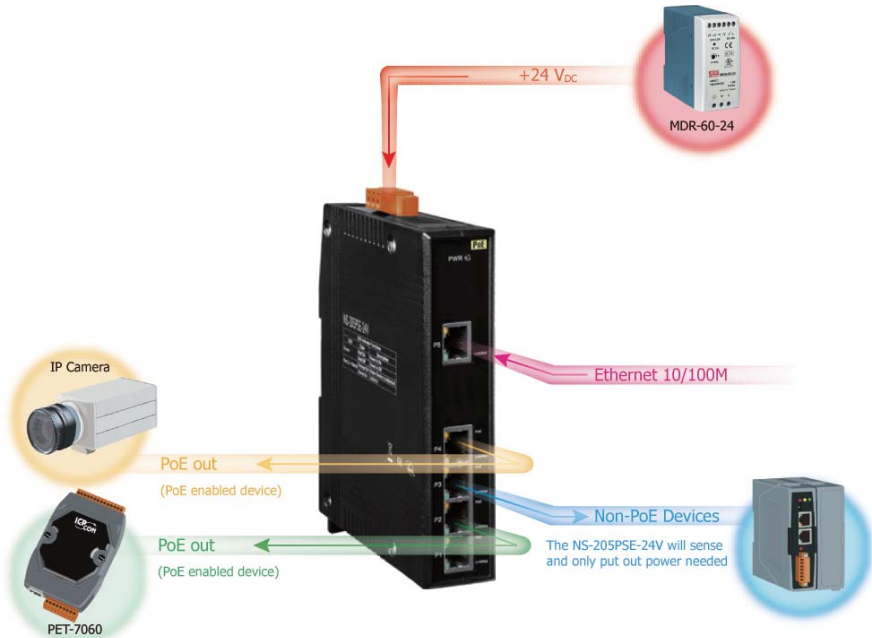
External power supply is connected using the removable terminal block:

PWR : Power input (+18 V_{DC} ~ +32 V_{DC}) and should be connected to the power supply (+)

GND: Ground and should be connected to the power supply (-)

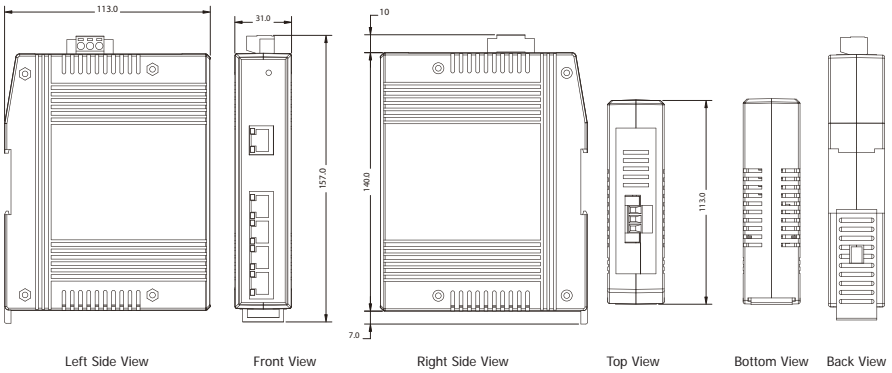
F.G. : F.G. stands for Frame Ground (protective ground). It is optional. If you use this pin, it can reduce EMI radiation; improve EMI performance and ESD protection.

● Applications

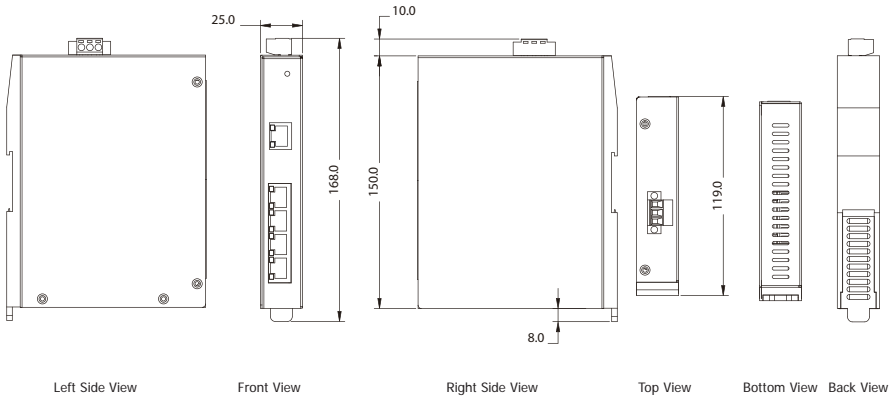


● Dimensions (Unit: mm)

NS-205PSE-24V Series



NSM-205PSE-24V Series



● Ordering Information

NS-205PSE-24V CR	Unmanaged 5-Port 10/100 Mbps PoE(PSE) Ethernet Switch; 24 VDC Input (RoHS)
NSM-205PSE-24V CR	Unmanaged 8-Port Industrial 10/100 Mbps PoE(PSE) Ethernet Switch with Metal Casing (RoHS)

● Accessories

MDR-60-24	24V/2.5A, 60 W Power Supply with DIN-Rail Mounting
MDR-20-24	24V/1.0A, 24 W Power Supply with DIN-Rail Mounting
DIN-KA52F	24V/1.04A, 25 W Power Supply with DIN-Rail Mounting