



MQ-7253M

MQTT I/O Module with 16-ch DI

Features

- Built-in Web Server
- Web HMI
- Support for MQTT Protocol
- 2-port Ethernet Switch for Daisy-Chain Topology
- Dual Watchdog
- Wide Operating Temperature Range: -25 ~ +75°C
- Built-in I/O
 - DI: 16 Channels



Introduction

The MQ-7253M is an Ethernet I/O device equipped with 16-channel DI, as well as the MQTT protocol is supported for connecting with a variety of digital sensors in Industrial Internet of Things (IIoT) applications. A friendly web-based user interface is provided for users to configure module, access the network connection status and I/O status via a normal web browser on a mobile device or computer.

The MQ-7253M features optical isolation for 2500 VDC of transient overvoltage protection, but doesn't provide channel-to-channel isolation. It can safely be used in applications where hazardous voltages are present.

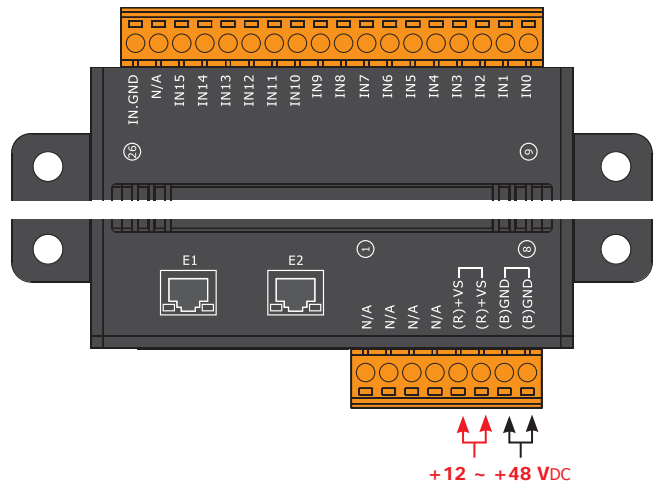
System Specifications

Model	MQ-7253M
Software	
Built-in Web Server	Yes
Web HMI	Yes
Communication	
Ethernet Port	2 x RJ-45, 10/100 Base-TX, Switch Ports
Protocol	MQTT 3.1.1
Dual Watchdog	Yes, Module (0.8 seconds), Communication (Configurable)
PoE	-
LED Indicators	
for System Running	Yes
for Ethernet Link/Act	Yes
for DI/DO status	Yes
2-Way Isolation	
Ethernet	1500 VDC
I/O	2500 VDC
EMS Protection	
ESD (IEC 61000-4-2)	±4 kV Contact for Each Terminal and ±8 kV Air for Random Point
EFT (IEC 61000-4-4)	±4 kV for Power Line
Power	
Reverse Polarity Protection	Yes
Powered from Terminal Block	+12 ~ +48 VDC
Consumption	3.7 W
Mechanical	
Dimensions (L x W x H)	120 mm x 97 mm x 42 mm
Housing	Metal
Installation	Wall Mounting
Environment	
Operating Temperature	-25 ~ +75°C
Storage Temperature	-30 ~ +80°C
Humidity	10 ~ 90% RH, Non-condensing

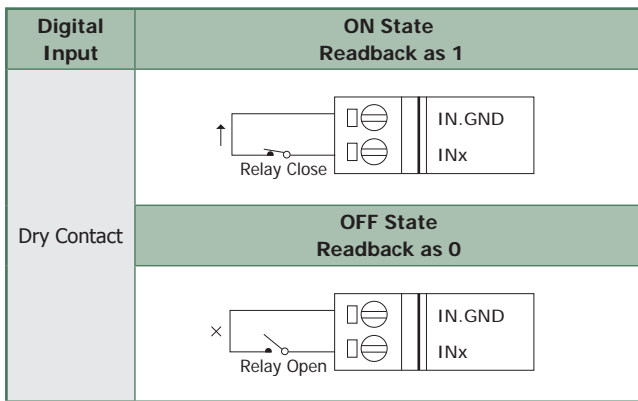
I/O Specifications

Model	MQ-7253M
Digital Input	
Channels	16
Contact	Dry
Sink/Source (NPN/PNP)	Source
ON Voltage Level	Close to GND
OFF Voltage Level	Open
Overvoltage Protection	-
Effective Distance	500 M Max.

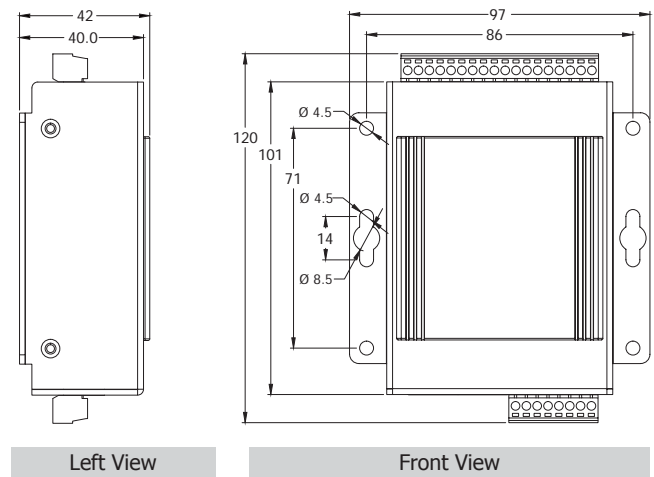
Pin Assignments



Wire Connections



Dimensions (Units: mm)



Ordering Information

MQ-7253M CR	MQTT I/O Module with 2-port Ethernet Switch, with 16-ch DI (RoHS)
-------------	-------------------------------------------------------------------