

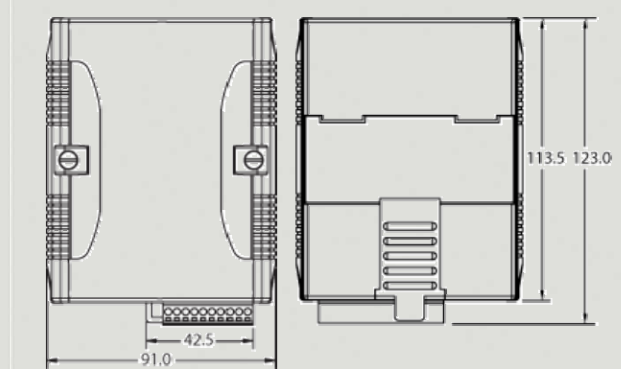


# Industrial Multimedia Automation

## Intelligent Remote Maintenance Device Server



**M2M-520-AV**



Linear Measure: millimeter (mm)

**Dimensions**

The M2M-520-AV module is specially designed for the remote maintenance solution with video calling. This module provides 2 major technologies on networking: Video calling and Pair connection. The Pair connection means that the user can operate remote COM port device via Ethernet TCP/IP protocol just like a local COM port and the Video calling means the user can talk face-to-face with live video while operate remote COM-linked devices. Furthermore, M2M-520-AV integrates the Virtual com technology. That can resolve the insufficiency of real com port in PC. By applying this technology, the maintenance man can take the remote maintenance or monitor whatever time or place.

### Features

- Support audio and video streaming on network
- Provide pair connection on network
- Provide VxComm technology
- Support VPN (Virtual Private Network) technology
- Support DES/AES encryption and decryption
- Web-based administration
- Linux 2.6 platform
- Support TCP/IP protocols
- Provide dynamic DNS function
- Provide event record and e-mail function
- Built-in web server, FTP server
- Built-in RTC
- Robust, fan less design

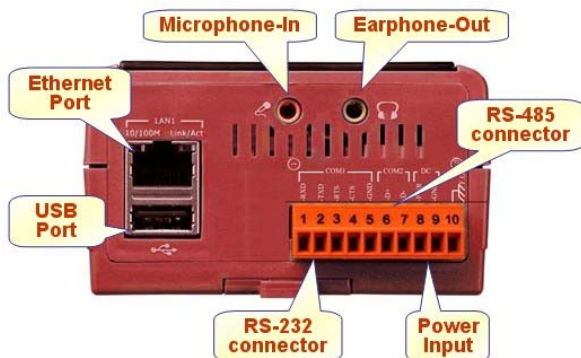


### Web-based administration

- The module built-in web server, the user can operate and set the module easily by web browser.



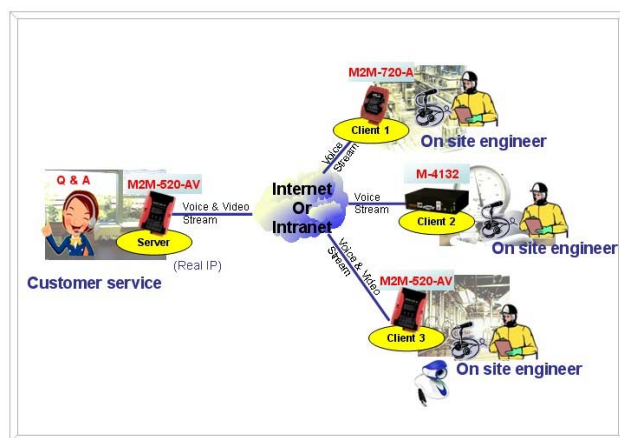
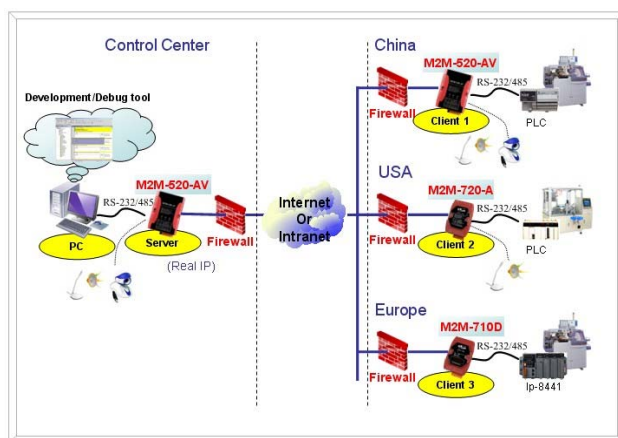
### Pin Assignments



## Hardware Specifications

Hardware	
CPU	Atmel 9G45, 400 MHz processor
RAM /Flash	128 MB / 256 MB
RTC (Real Time Clock)	Yes
UART Interface	
COM 1	RS-232
COM 1 Connector	5-pin screwed terminal block (TxD, RxD, RTS, CTS, GND)
COM 2	RS-485
COM 2 Connector	2-pin screwed terminal block (DATA+, DATA-)
Baud Rate (bps)	1200, 2400, 4800, 9600, 19200, 38400, 57600, 115200
Data bit	5, 6, 7, 8
Stop bit	1, 2
Parity	None, Even, Odd
Ethernet Interface	
Controller	10/100Base-TX Ethernet Controller
Connector	RJ-45 with LED indicator
Services	TCP/IP, Web server, FTP server, Telnet & SSH
Power	
Power supply	Unregulated +10 ~ +30 V <sub>DC</sub>
Power Consumption	4 W
Mechanism	
Installation	DIN-Rail or Wall Mounting
Dimensions	91 mm x 123 mm x 52 mm (W x L x H) Detail
Environment	
Operating Temp.	-25 °C ~ +75 °C
Storage Temp.	-30 °C ~ +85 °C

## Application



## Ordering Information

<b>M2M-520-AV</b>	Intelligent Remote Maintenance Device Server
-------------------	--