

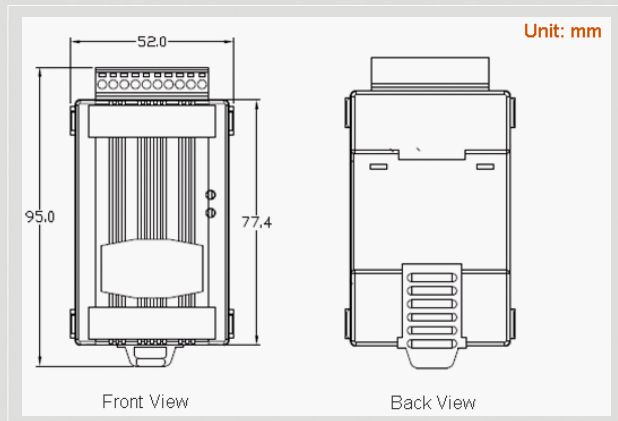


# EtherNet/IP Series Products

## EtherNet/IP to Modbus RTU Gateway



**GW-7472**



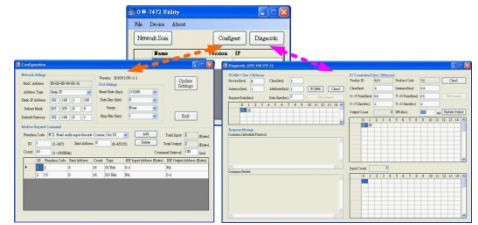
**Dimensions**

The GW-7472 (EtherNet/IP adapter to Modbus RTU Master Gateway) is helpful for data-exchanging between the Modbus RTU network and the EtherNet/IP network. It reads the register data from the Modbus RTU slaves and publishes these data to the input register data of the EtherNet/IP scanner. The output data transmitted by the EtherNet/IP scanner are updated to the register data of Modbus RTU slaves via the GW-7472. Through the GW-7472, all of the Modbus slaves can be regard as one EtherNet/IP adapter.

### Features

- Powerful 32-bit MCU handles efficient network trafficking
- Tiny form-factor and low power consumption
- Made from fire retardant materials (UL94-V0 Level)
- Supports TCP, UDP, DHCP, BOOTP and TFTP protocols
- Ethernet Protocol: EtherNet/IP Adapter
- Modbus Protocol: Modbus RTU Master
- Maximum support 30 Modbus RTU commands
- Maximum EtherNet/IP Input/Output data size: 500 bytes

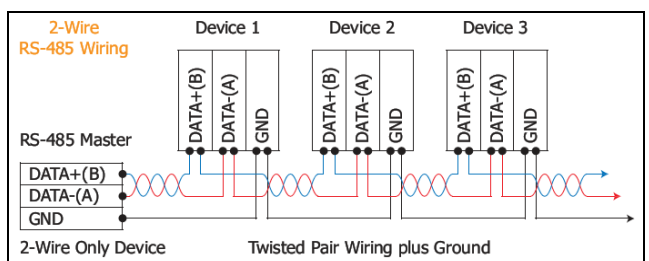
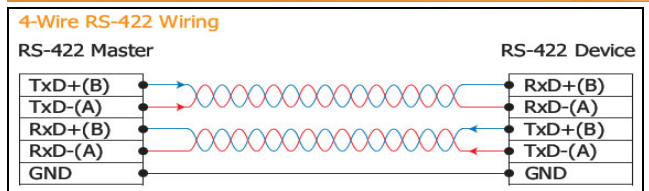
### Utility Features

- 
- Network parameters configuration
  - UART parameters configuration
  - Modbus RTU devices configuration
  - Auto search GW-7472 device.
  - Easy test to transmit/receive EtherNet/IP data

### Modbus RTU Command Support

Function code.	Description
01 (0x01)	Read Coil Status
02 (0x02)	Read Input Status
03 (0x03)	Read Holding Registers
04 (0x04)	Read input Registers
15 (0x0F)	Force Multi Coils
16 (0x10)	Preset Multi Registers

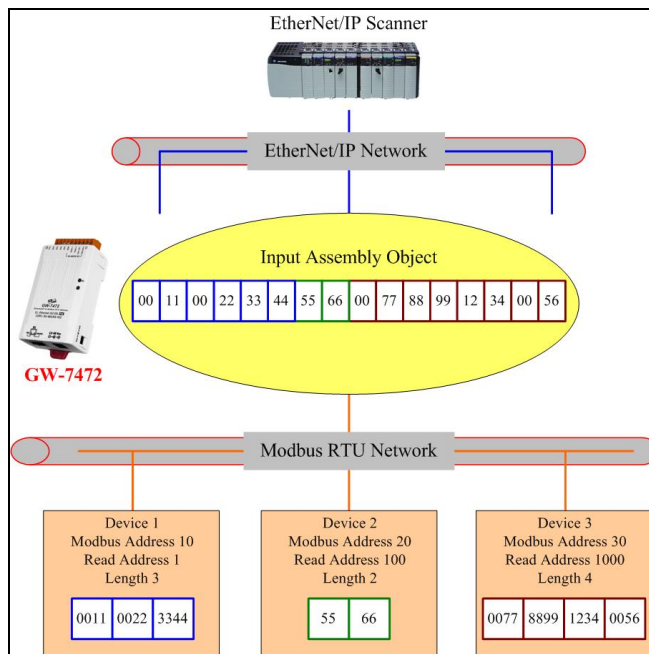
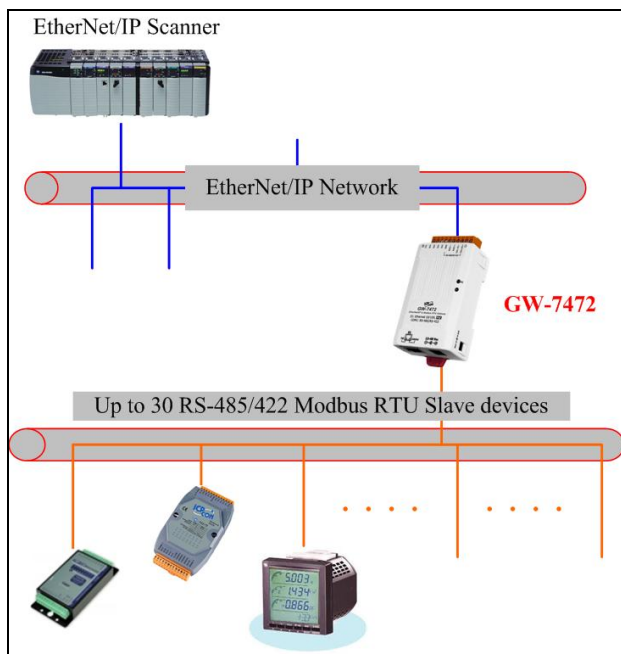
### Wire Connection



## Hardware Specifications

Hardware	
CPU	32-bit MCU
UART Interface	
COM 1	2-wire RS-485 4-wire RS-422
COM 1 Connector	10-Pin Removable Terminal Block x 1
Protocol	Modbus RTU master
Ethernet Interface	
Ethernet	10/100 Base-TX, 8-pin RJ-45 x 1, (Auto-negotiating, Auto-MDI/MDIX, LED indicator) PoE (IEEE 802.3af, Class 1)
Protocol	EtherNet/IP adapter
Power	
Power supply	PoE: IEEE 802.3af, Class 1 DC jack: +12 ~ 48 V <sub>DC</sub>
Power Consumption	0.05 A @ 24 V <sub>DC</sub>
Mechanism	
Dimensions	52mm x 95mm x 27mm (W x L x H)
Mounting	DIN-Rail
Flammability	Fire Retardant Materials (UL94-V0 Level)
Environment	
Operating Temperature	-25 ~ 75 °C
Storage Temperature	-30 ~ 80 °C
Humidity	10 ~ 90% RH, non-condensing

## Application



## Ordering Information

**GW-7472 CR** EtherNet/IP to Modbus RTU gateway with PoE and one RS-422/485 (RoHS)