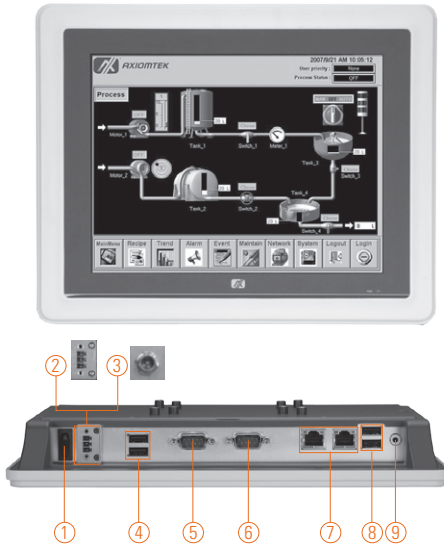


GOT5100T-834

10.4" XGA/SVGA TFT Fanless Touch Panel Computer with Intel® Celeron® Processor J1900 (up to 2.42 GHz)

NEW



- | | |
|---|---------------------------|
| 1. Power switch | 6. COM 2 (RS-232/422/485) |
| 2. Terminal block for DC power input
or 3. Screw conn. w/ AC power adapter | 7. Ethernet x 2 |
| 4. USB 3.0 x 2 | 8. USB 2.0 x 2 |
| 5. COM 1 (RS-232/422/485) | 9. Audio (Line-out) |



Introduction

The GOT5100T-834 is a 10.4" Intel® Celeron® based fanless touch panel computer. In response to market demand, this panel computer is a cost effective solution. It adopts a modern, super sleek and fanless design and is equipped with a 10.4" TFT LCD as well as Intel® Celeron® processor J1900 4 cores up to 2.42 GHz (Bay Trail). For wireless network connection, the GOT5100T-834 offers 2 mini card slots. By just plugging in the mini card WLAN card, customers can have instant access to wireless LAN/GPRS/GSM/4G environments. Besides, it provides two types of power input. One is DC power input (9-36VDC) with terminal block connector. The other is AC power adapter with screw type connector.

Super slim & ultra light design

The GOT5100T-834 is a super slim touch panel computer for space-limited environment with its thickness of 45.8mm and weight of 1.8 kg only, which make it installed everywhere.

Built-in internal WLAN antenna

The GOT5100T-834 provides 2 mini card slots and a built-in WLAN antenna for wireless network connections. By simply plugging in the wireless LAN card, customers can use the GOT5100T-834 in a wireless LAN/GPRS/GSM/4G environments.

Excellent thermal solution: aluminum back chassis

With Axiomtek's patent for plastic plus aluminum mechanism design, the GOT5100T-834 can dissipate the heat easily and keep the system operation stable.

Features

- 10.4" XGA/SVGA TFT LCD display with LED backlight
- Fanless design with Intel® Celeron® processor J1900 4 cores & internal antenna
- Supports 2 Gigabit LAN, 4 USB & 2 COM ports
- Supports optional panel mount, wall mount, VESA arm and desktop stand
- Plastic and IP65-rated front bezel
- Supports RFID (optional)



▲ Side view



▲ Desktop stand

Specifications

Front Bezel	IP65, NEMA 4 rugged protection, plastic front bezel	
LCD Panel	Display Type	10.4" XGA/SVGA TFT LCD with LED backlight
	Brightness (cd/m ²)	350 nits (XGA) 400 nits (SVGA)
	Resolution	1024 x 768 (XGA) 800 x 600 (SVGA)
	Viewing Angel (H/V)	140°/120°
Main System	CPU	Intel® Celeron® Processor J1900 4 cores (up to 2.42 GHz)
	System Memory	1 x 204-pin DDR3L-1333 MHz SO-DIMM max. up to 8 GB
	BIOS	AMI UEFI BIOS
	Storage	1 x 2.5" SATA HDD 1 x CFast™ or mSATA
	Watchdog Timer	255 levels, 0-255 sec.
	Onboard Graphics	Integrated in Intel® GFX



Specifications

I/O Connector	2 x RS-232/422/485 2 x 10/100/1000Mbps Ethernet (Intel® i210IT) 2 x USB 2.0 2 x USB 3.0 1 x Audio (Line-out)
Expansion Interface	1 x Full-Size Mini PCI Express Mini Card with mSATA supported 1 x Full-Size Mini PCI Express Mini Card with SIM Slot
Touchscreen	Resistive type
Power Supply	1. DC version: 9~36VDC with over-current protection fuse 2. AC version: 100-240V AC-DC 60W power adapter
Dimension	292.5 mm (11.52") (W) x 45.8 mm (1.80") (D) x 235.8 mm (9.28") (H)
Packing Dimensions	415 mm (16.34") (W) x 100 mm (3.94") (D) x 315 mm (12.4") (H)
Weight (net/gross)	1.8 kg (3.96 lb)/3 kg (6.61 lb)
Environment	Operating temperature: 0° ~ +50°C (+32°F ~ +122°F) (with W.T. DRAM/HDD in airflow condition) 0° ~ +45°C (+32°F ~ +113°F) (with W.T. DRAM/HDD) Storage Temperature: 0° ~ +50°C (+32°F ~ +122°F) (in airflow condition) Relative humidity: 20% ~ 90% @ 40°C; non-condensing Operation vibration: 2G, 5~500Hz, random for CFast™
Certificate	CE

Ordering Information

GOT5100T-834	10.4" SVGA Intel® Celeron® Processor J1900 4 cores fanless touch panel computer with terminal block connector
GOT5100T-834-J	10.4" SVGA Intel® Celeron® Processor J1900 4 cores fanless touch panel computer with screw type connector & AC-DC 60W power adapter, EMI class B
GOT5100T-834-XGA	10.4" XGA Intel® Celeron® Processor J1900 4 cores fanless touch panel computer with terminal block connector
GOT5100T-834-J-XGA	10.4" XGA Intel® Celeron® Processor J1900 4 cores fanless touch panel computer with screw type connector & AC-DC 60W power adapter, EMI class B

* Specification and certifications are based on options and may vary.

Optional EOS Installation

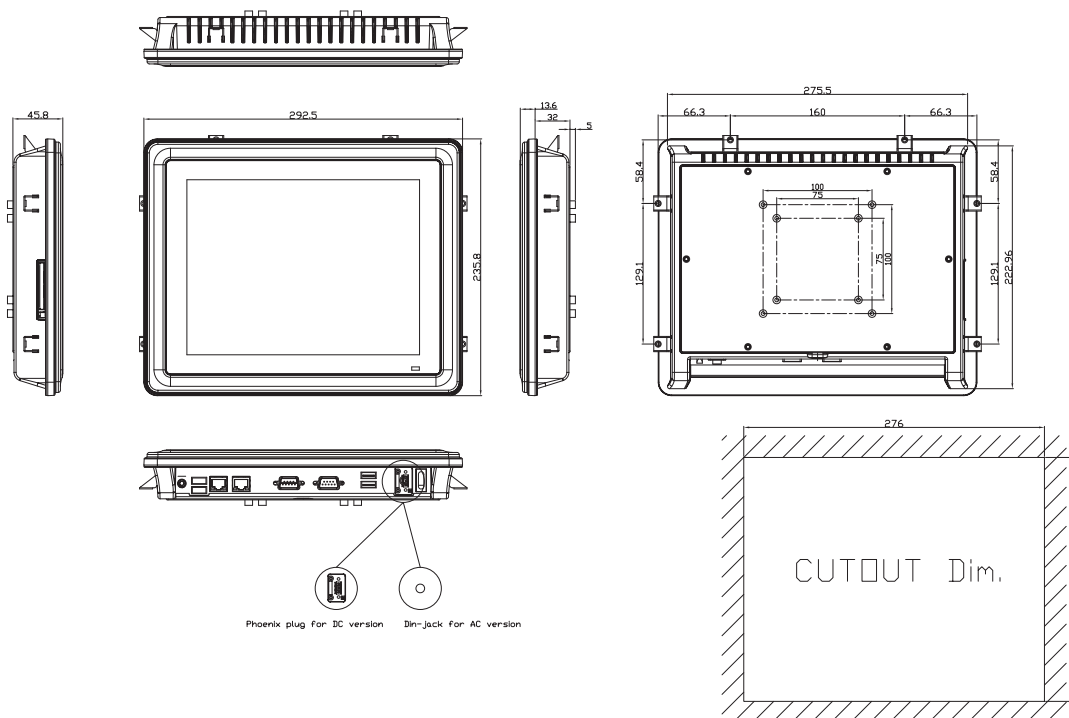
WES 7
WE8S

Optional OS Installation

Windows® 7
Windows® 8.1



Dimensions



* All specifications and photos are subject to change without notice.

