

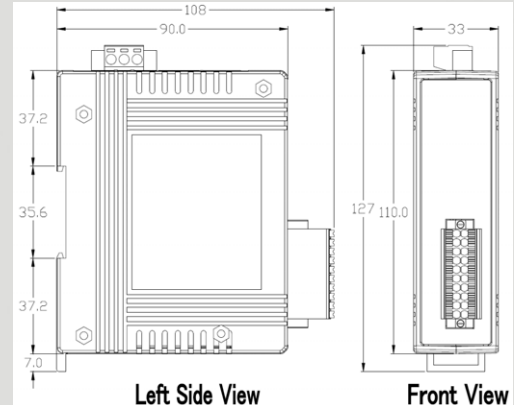


# EtherCAT Series Products

## Isolated 16-ch DO EtherCAT Slave I/O Module



**ECAT-2045**



**Dimensions**

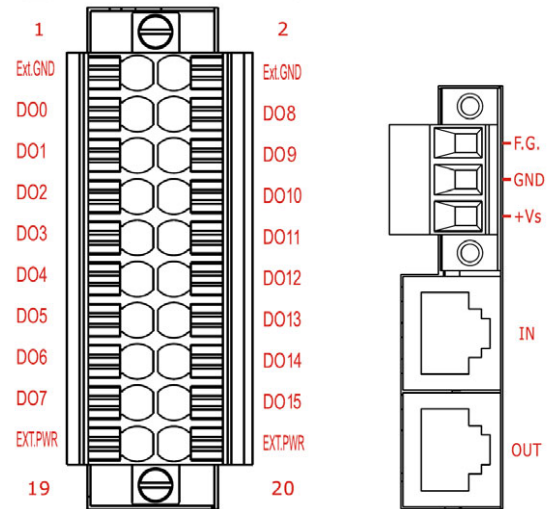
The ECAT-2045 is an industrial slave I/O module built in 16 digital outputs. It is equipped with the EtherCAT\* protocol and installed by daisy chain connection that provides a more scalable system with fewer wires. Users can obtain the input and output status not only via the process data but also from its LED indicators. The ECAT-2045 has passed and verified by the conformance test tool, therefore eligible EtherCAT Master or configurator can manipulate it simply and implement your various applications easily.

\* EtherCAT® is registered trademark and patented technology, licensed by Beckhoff Automation GmbH, Germany.

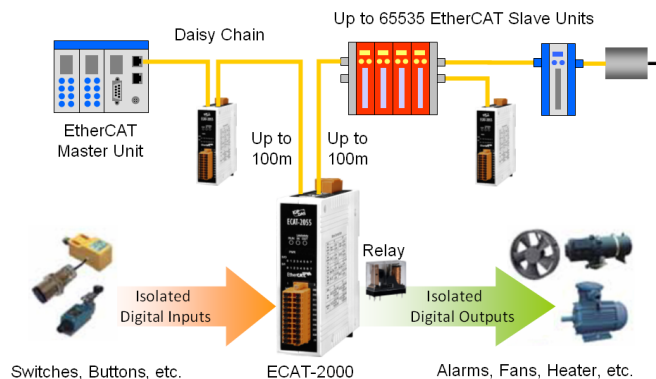
### Features

- On the fly processing: EtherCAT
- Powerful MCU handles efficient network traffic
- 2 x RJ-45 bus interface
- Distance between stations up to 100 m (100BASE-TX)
- Support daisy chain connection
- EtherCAT conformance test tool verified
- Removable terminal block connector
- LED indicators for the output status
- Built-In isolated 16-ch digital outputs
- RoHS compliant
- ESD Protection 4 KV Contact for each channel

### Pin Assignment



### Application



### Wire connection

Output	ON	OFF
Drive Relay		
Resistance Load		



## Hardware Specifications

Digital Output	
Channels	16
Output Type	Open Collector (Sink)
Load Voltage	3.5 ~ 50 V
Max. Load Current	700mA per channel
Isolation Voltage	3750 V <sub>rms</sub>
Communication Interface	
Connector	2 x RJ-45
Protocol	EtherCAT
Distance between Stations	Max. 100 m (100BASE-TX)
Data Transfer Medium	Ethernet/EtherCAT Cable (Min. CAT 5), Shielded
Power	
Input Voltage Range	10V ~ 30VDC
Power Consumption	Max. 4W
Mechanism	
Installation	DIN-Rail
Dimensions	110mm x 90mm x 33mm (H x W x D, without connectors)
Case Material	UL 94V-0 Housing
Environment	
Operating Temperature	-25°C ~ 75°C
Storage Temperature	-30°C ~ 80°C
Relative Humidity	10 ~ 90%, No Condensation
ESD (IEC 61000-4-2)	4 KV Contact for Each Channel
EFT (IEC 61000-4-4)	Signal: 1 KV Class A; Power: 1 KV Class A
Surge (IEC 61000-4-5)	1 KV Class A

## Ordering Information

<b>ECAT-2045 CR</b>	EtherCAT Slave I/O Module with Isolated 16-ch Digital Outputs (RoHS)
---------------------	--