

DNM-844-(50A)(200A)(500A)
4 Channel Current Transformer



DNM-844-(1000A)(2000A)
4 Channel Current Transformer

Features

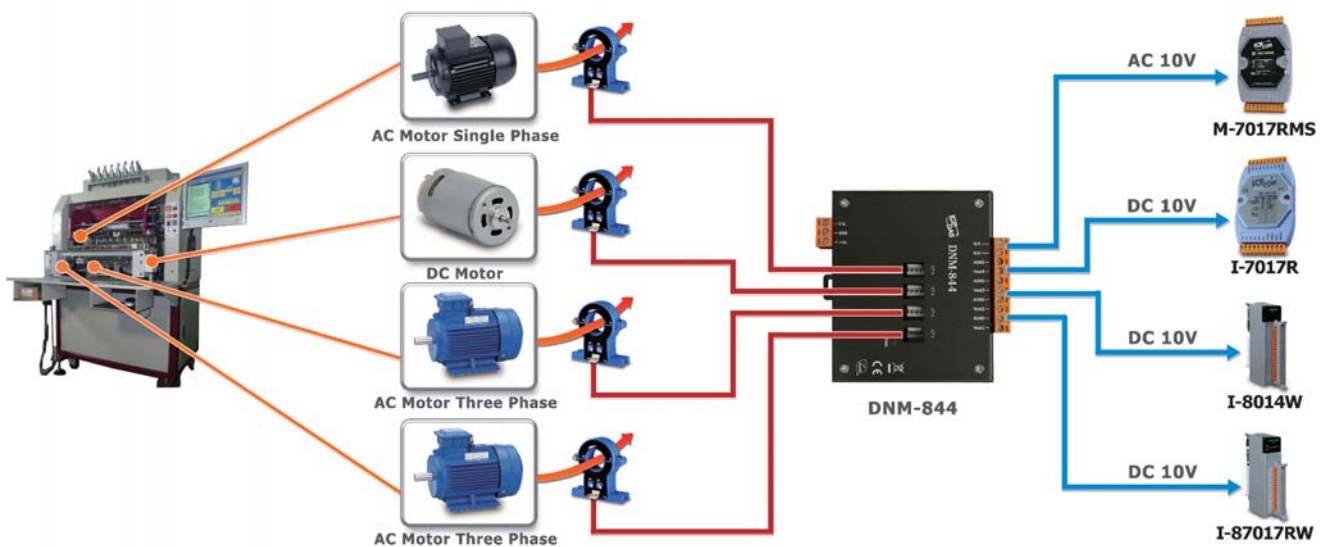
- 4-Channel High Current Input Measurement
- Linear Attenuation Ratio
- Easily wire connection



Introduction

The DNM-844 is 4-channel current transformer. The maximum current input range is from ± 2000 A can be attenuated to ± 10 V. It provides 3000 VDC intra-modules isolation. It can be used with the analog input modules such as I-7017, I-87017, M-7017RMS and I-87017W-RMS etc. to measure the high current.

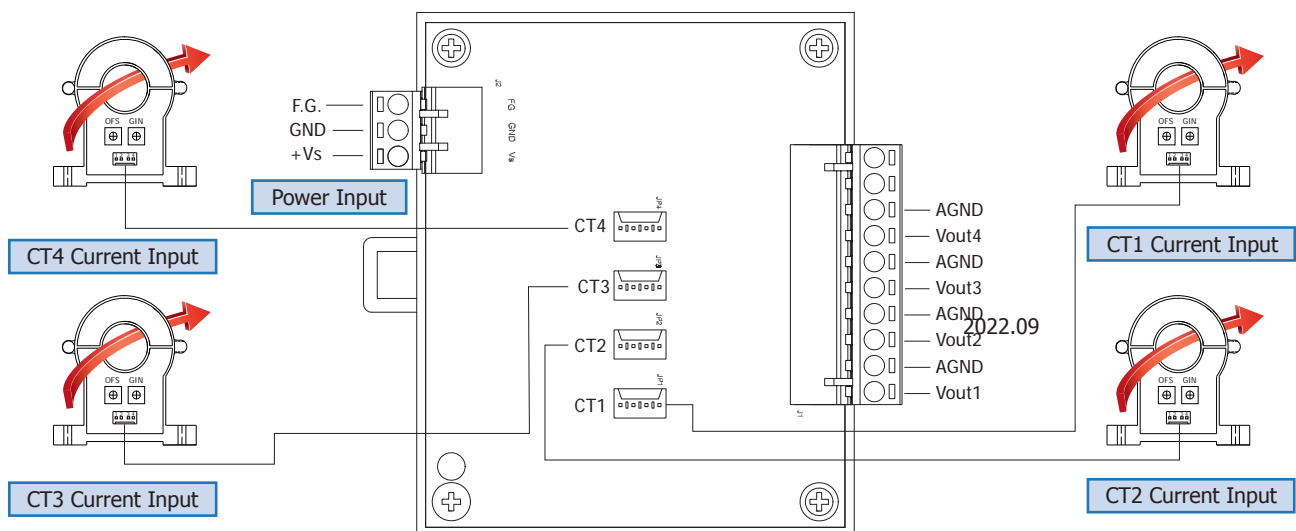
Applications



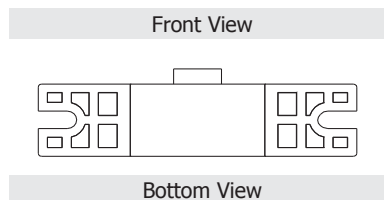
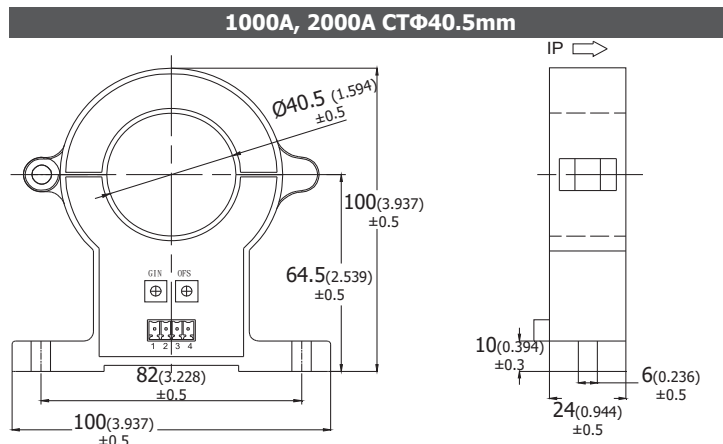
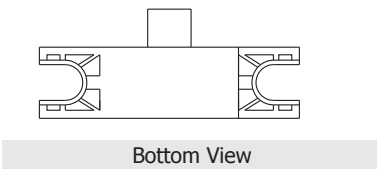
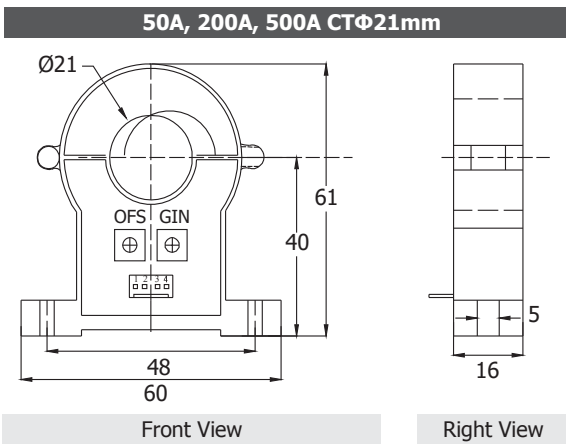
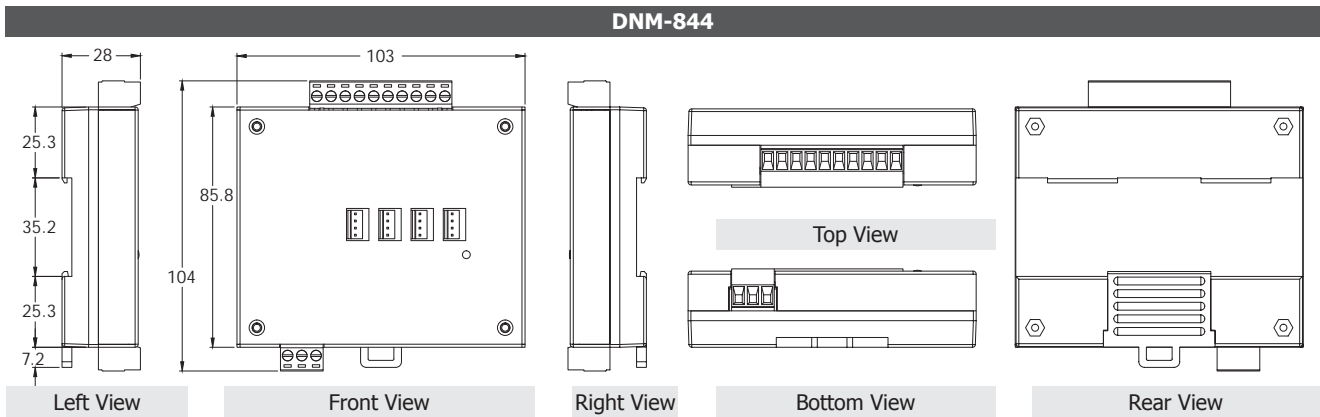
Specifications

Models	DNM-844-50A	DNM-844-200A	DNM-844-500A	DNM-844-1000A	DNM-844-2000A
EMS Protection					
ESD (IEC 61000-4-2)	±4 kV contact for power line, input and output channels, ±8 kV air for random point				
Surge (IEC 61000-4-5)	±3 kV for power liner				
CT					
Type	Clip				
Inside Diameter	Φ21 mm				
Leading Cable	1.5 m				
Analog Input					
Channels	4				
Type	AC/DC Current				
Range	±50 A	±200 A	±500 A	±1000 A	±2000 A
Accuracy	±1% of FSR				
Bandwidth	0 ~ 50 KHz				
Intra-module Isolation	3000 VDC				
Isolation	2.5 KV @ 50 (60) HZ/1 min				
Analog Output					
Channels	4				
Type	AC/DC Voltage				
Range	±10 VDC or 10 VAC				
Accuracy	±1% of FSR				
Isolation	2.5 KV @ 50 (60) HZ/1 min				
Power Input					
Input Range	+10 VDC ~ +30 VDC				
Consumption	2.3 W				
Mechanical					
Casing	Metal				
Dimensions (W x L x D)	103 x 104 x 28 (W x L x D)				
Installation	DIN-Rail Mounting				
Mechanical					
Operating Temperature	-25 ~ +75 °C				
Storage Temperature	-30 ~ +75 °C				
Humidity	10 ~ 90% RH, Non-condensing				

Appearance



Dimensions (Units: mm)



TB1 Pin Assignments

TB1-1: +15V	RED
TB1-2: -15V	BLACK
TB1-3: Output	GREEN
TB1-4: GND	WHITE

Ordering Information

DNM-844-50A CR	4 Channel Current Transformer (50A) (Metal) (RoHS)
DNM-844-200A CR	4 Channel Current Transformer (200A) (Metal) (RoHS)
DNM-844-500A CR	4 Channel Current Transformer (500A) (Metal) (RoHS)
DNM-844-1000A CR	4 Channel Current Transformer (1000A) (Metal) (RoHS)
DNM-844-2000A CR	4 Channel Current Transformer (2000A) (Metal) (RoHS)

Accessories

CA-040415 CR	4-pin & 4-pin Cable 1.5 M (RoHS)	I-7017-G CR	8-channel Analog Input Module with DCON Protocol (Gray Cover) (RoHS)
CA-040425 CR	4-pin & 4-pin Cable 2.5 M (RoHS)	I-87017W-G CR	8-channel Analog Input Module (Gray Cover) (RoHS)
CA-040415-1 CR	4-pin & 4-pin Cable 1.5 M (RoHS)	M-7017RMS CR	8-channel True RMS Input Module (Gray Cover) (RoHS)
MDR-20-24 CR	24 V/1 A, 24 W Power Supply with DIN-Rail Mounting (RoHS)	I-87017W-RMS CR	8-channel True RMS Input Module (Gray Cover) (RoHS)