

Owner's Manual Havis Docking Station For Getac Viper Laptop

DS-GTC-1200 Series

DS-GTC-1201

DS-GTC-1201-3

DS-GTC-1202

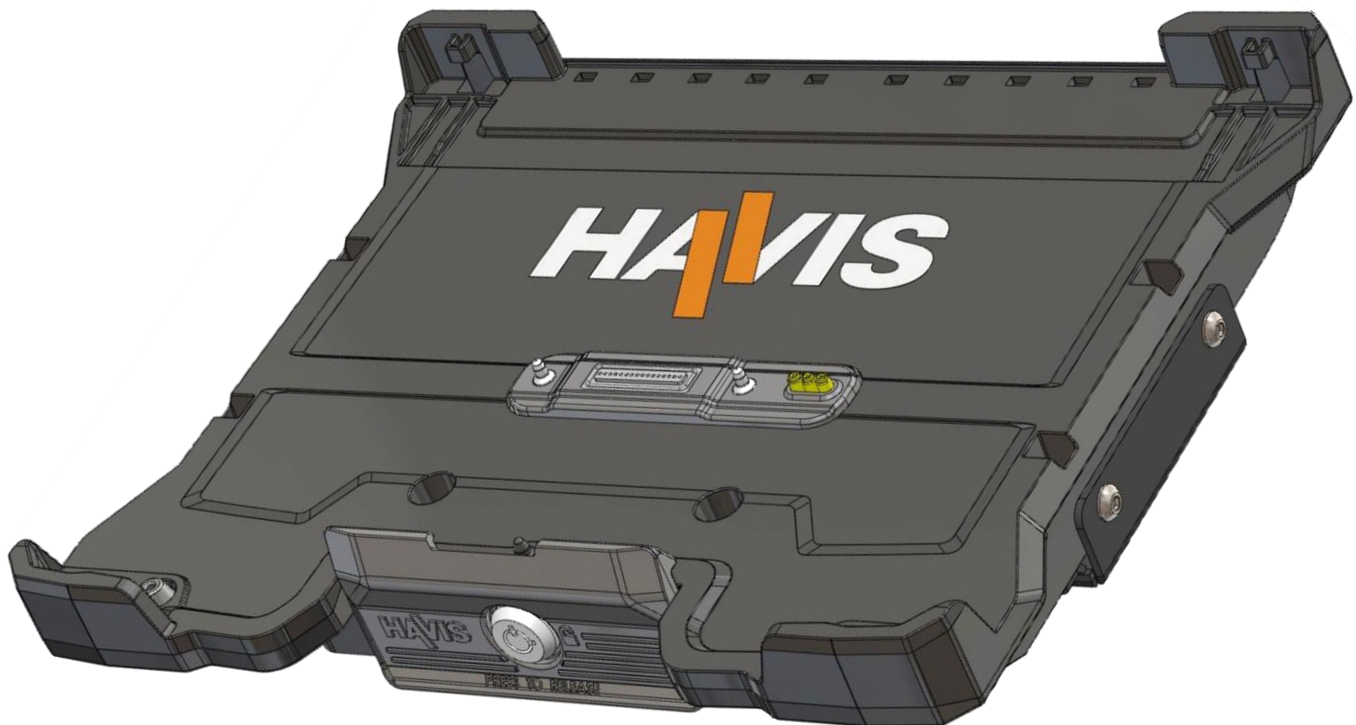
DS-GTC-1202-3

DS-GTC-1203

DS-GTC-1203-3

DS-GTC-1206

DS-GTC-1206-3



DS-GTC-1200-SERIES_OMN_03-20

www.havis.com

HAVIS

Havis, Inc.
75 Jacksonville Road
Warminster, PA 18974

1-800-524-9900

Before Beginning

Havis is pleased to provide this Owner's Manual to aid in the proper installation and use of the DS-GTC-1200 Series Docking Station for the Getac B360 Laptop.

For questions regarding the set-up of your DS-GTC-1200 Series Docking Station, please contact Havis at 1-800-524-9900 or visit www.havis.com for additional product support and information.

This Owner's Manual applies to the following Part Numbers:

DS-GTC-1201
DS-GTC-1201-3

DS-GTC-1202
DS-GTC-1202-3

DS-GTC-1203
DS-GTC-1203-3

DS-GTC-1206
DS-GTC-1206-3

WARNING

- **CUSTOMERS USING HAVIS B360 DOCKING STATIONS WITH PORT REPLICATION: DO NOT CONNECT A SECOND POWER SOURCE DIRECTLY TO THE POWER INPUT JACK OF A DOCKED COMPUTER AS THIS MAY CAUSE DAMAGE TO THE COMPUTER OR POWER SOURCES.**
- **NEVER STOW OR MOUNT THE DOCKING STATION DIRECTLY IN A VEHICLE AIRBAG DEPLOYMENT ZONE.**
- **DO NOT USE COMPUTER WHILE DRIVING.**

CAUTION

- **READ ALL INSTRUCTIONS THOROUGHLY BEFORE BEGINNING INSTALLATION.**
- **DO NOT STORE, INSTALL, OR OPERATE THE DOCKING STATION WHERE WATER, MOISTURE, STEAM, DUST, ETC. ARE PRESENT**
- **DOCKING OR UNDOCKING YOUR COMPUTER WHILE IN ON, STANDBY, HIBERNATION, OR SLEEP MODE CAN CAUSE SOME DEVICES TO NOT INITIALIZE PROPERLY. IF THIS OCCURS, PLEASE TURN OFF YOUR COMPUTER AND RESTART IT WHILE IT IS DOCKED.**
- **FOR THE DS-GTC-1201, DS-GTC-1201-3, DS-GTC-1202, & DS-GTC-1202-3 DOCKING STATIONS: DO NOT CONNECT DIRECTLY TO VEHICLE VOLTAGE SOURCE: This product requires a certified, automotive grade, Getac approved 120W power source rated for a continuous, regulated 19VDC output (*Havis Part Number LPS-140 or equivalent*). Failure to comply with this requirement will cause product damage that is NOT repairable and is NOT covered under warranty.**
- **FOR THE DS-GTC-1203, DS-GTC-1203-3, DS-GTC-1206, & DS-GTC-1206-3 DOCKING STATIONS: DO NOT CONNECT DIRECTLY TO VEHICLE VOLTAGE SOURCE: The Getac B360 Laptop requires a certified, Getac approved power source rated for a continuous, regulated 19VDC output. Failure to comply with this requirement will cause product damage that is NOT repairable and is NOT covered under warranty.**

NOTICE

- **FOR DOCKING STATION MODELS EQUIPPED WITH A BUNDLED POWER SUPPLY (DS-GTC-1202, DS-GTC-1202-3, DS-GTC-1206, & DS-GTC-1206-3) REFER TO THE SUPPLIED GETAC POWER SUPPLY REFERENCE GUIDE.**
- **WHEN LAPTOP IS DOCKED, THE BATTERY WILL ONLY CHARGE BETWEEN 2°C to 50°C (35°F to 122°F). PLEASE REFER TO GETAC B360 LAPTOP OWNER'S MANUAL FOR MORE INFORMATION.**

Precautions

- Do not place metal objects or containers of liquid on top of the Docking Station
- If a malfunction occurs, immediately unplug the Power Supply and remove the laptop
- Use only the specified Power Supply (Part # LPS-140) with this Docking Station
- Do not connect cables into ports other than what they are specified for
- Do not leave the Docking Station in a high temperature environment (greater than 71°C, 160°F) for a long period of time

Specifications

Docking Station Power Input	19V DC-In
Dimensions	11.52" (29.26 cm) H x 13.79" (35.03 cm) W x 2.54" (6.45 cm) D
Weight	5.2 lbs. (2.36 kg)
Operating Environment	-20° C to 60° C (-4° F to 140° F)
Storage Environment	-40° C to 71° C (-40° F to 160° F)

EC DECLARATION OF CONFORMITY in accordance with EN 50498

Manufacturers Name: Havis, Inc.

Manufacturers Address: 75 Jacksonville Road, Warminster, PA 18974 USA

Declares under our sole responsibility that the product:

Product name: Havis Docking Station For Getac B360 Laptop Only

Model: DS-GTC-120X, where 'X' may be any alphanumeric character and which describes product options.
May be followed by any alphanumeric characters which describe product options.

Product Options: This declaration covers all options of the above product which bear the CE Marking.

Is in conformity with the following standards or other normative documents:

Automotive EMC Directive EN 50498:2010, Electromagnetic compatibility (EMC) -
2004/108/EC: Product family standard for aftermarket electronic equipment in vehicles
Directive 2011/65/EU Restriction of the use of certain hazardous substances (RoHS)

Supplementary Information:

The product herewith complies with the requirements of the Automotive EMC Directive 2004/108/EC, Annex I, 6.5, 6.6, 6.8, and 6.9. This product requires the use of a recommended e-Marked automotive power supply when used within vehicles.

Warminster, PA, USA

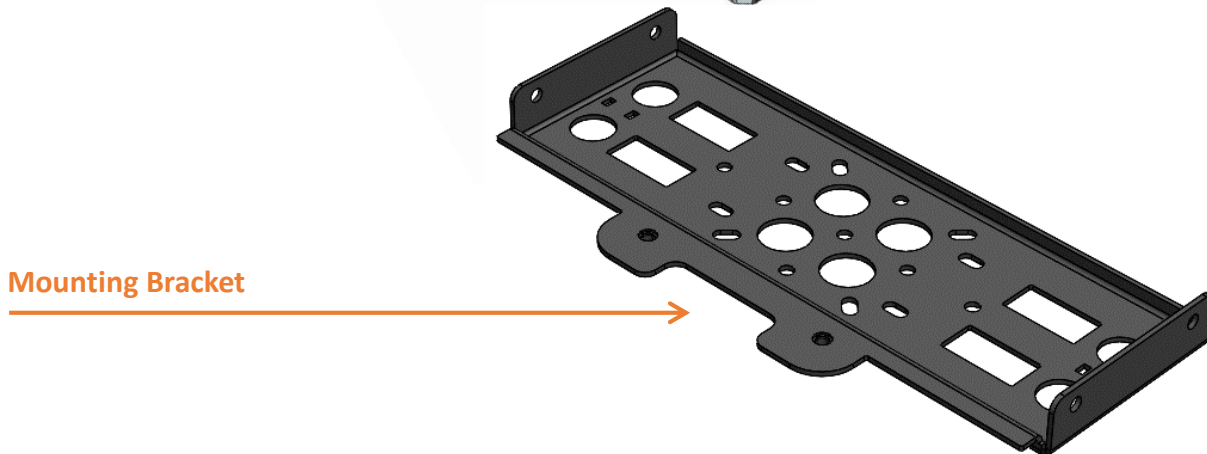
Month Day, Year

Bruce Jonik, Director of Engineering , Havis, Inc.

FCC 47CFR, Part 15 compliance: This is an FCC Class B device. Any changes or modifications to the model DS-GTC-120X not expressly approved by Havis, Inc. could void the user's authority to operate this equipment.

Parts Included

Docking Station



Parts Included (continued)

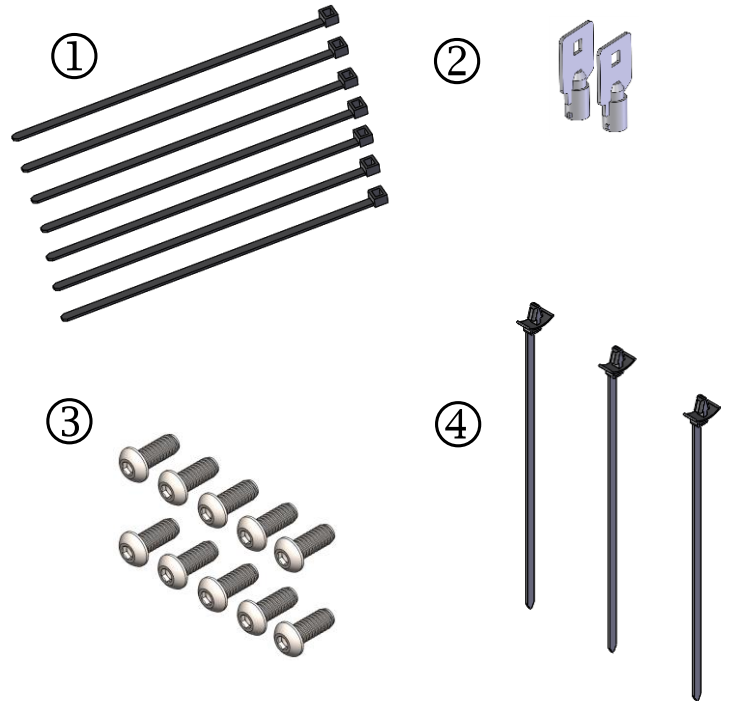
Hardware Kit (HWK-0015)

This Hardware Kit includes:

1. Zip Ties (7)
2. Keys (2)
3. 1/4"-20 x 5/8" long Button Head Screws (10)
4. Zip Ties (3)

Tools required for installation:

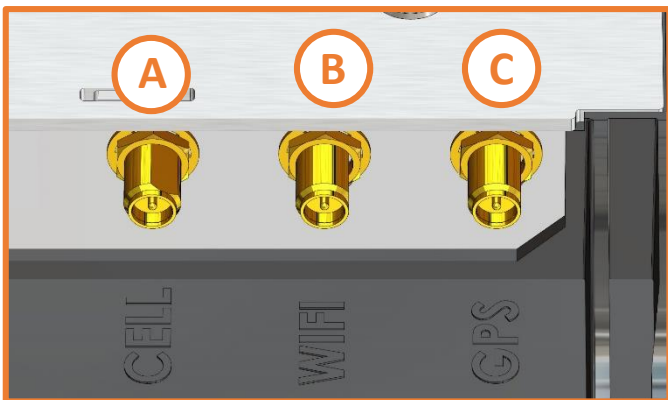
- 5/32" Hex Drive
(For attaching Mounting Bracket to Motion Device with Button Head 1/4"-20 Screws)



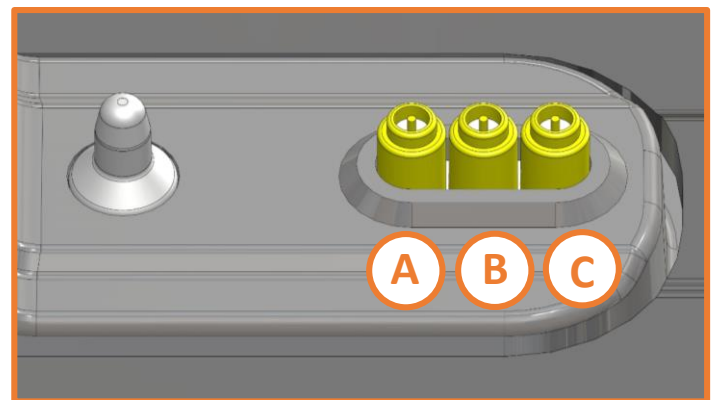
Antenna Identification

DS-GTC-1201-3, DS-GTC-1202-3, DS-GTC-1203-3, & DS-GTC-1206-3

Rearward Facing
Antenna Connectors (SMA)



Laptop Interface



- A – CELLULAR**
- B – WIFI**
- C – GPS**

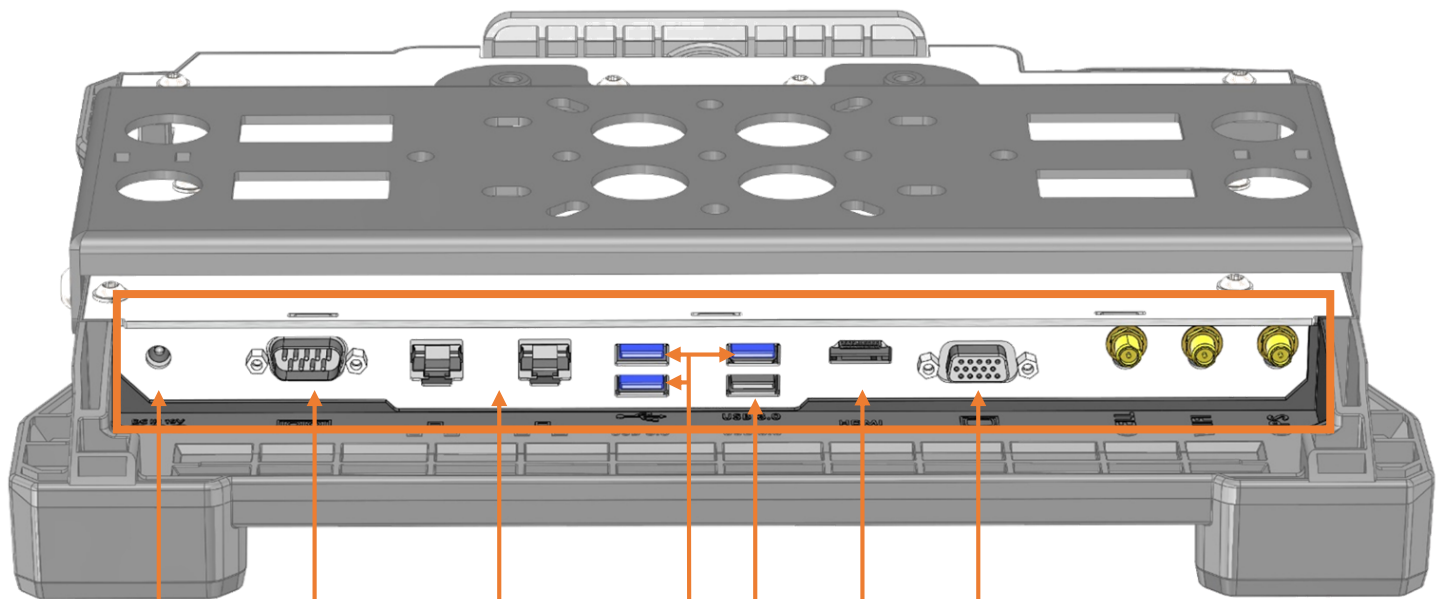
Port Replication Capability

Forward Facing Ports

DS-GTC-1201, DS-GTC-1201-3, DS-GTC-1202, DS-GTC-1202-3



USB 2.0 (x2)



Power Input
(19V DC IN)

Serial

Ethernet
RJ45 (x2)

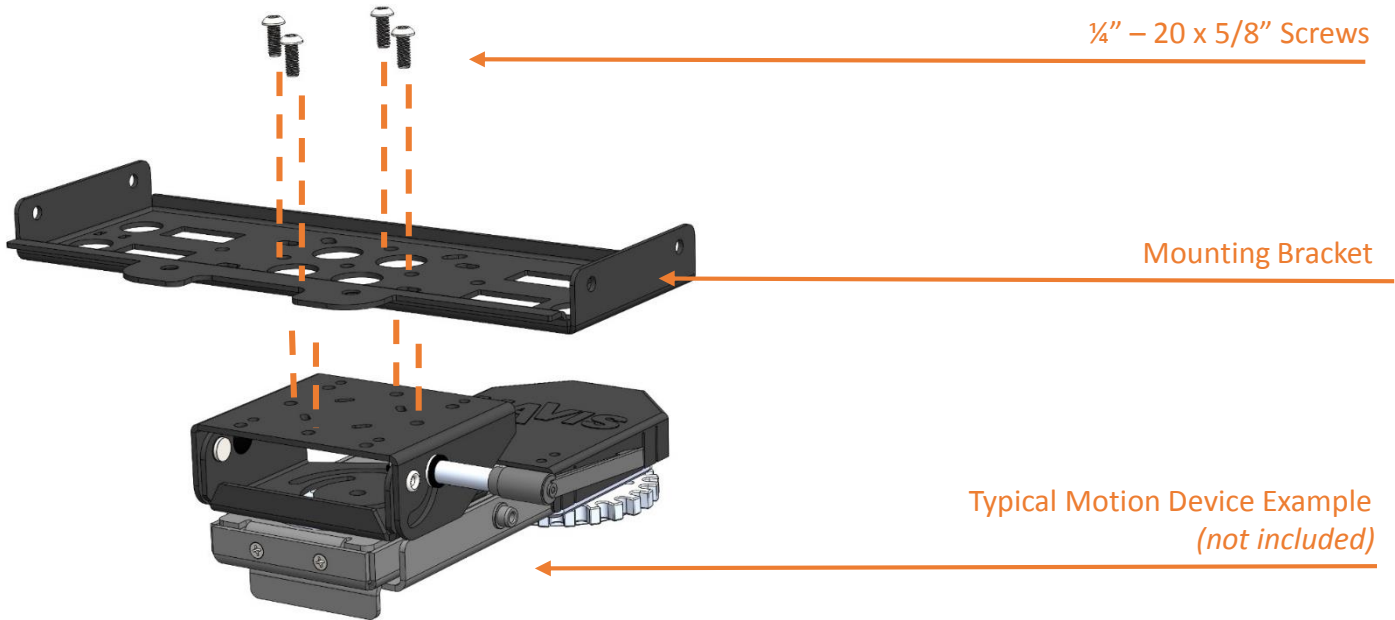
USB 3.0 (x3)
USB 2.0 (x1)

HDMI

VGA

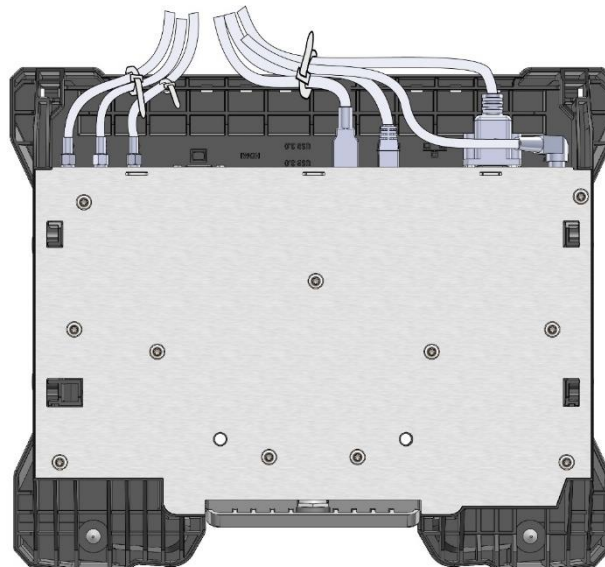
Installation & Cable Management

- 1) Remove the Mounting Bracket from the packaging. Install the Mounting Bracket to the Motion Device using (4) 1/4"-20 x 5/8" long screws (Hardware Kit Item 3). Torque screws to 80 in-lbs (9.0Nm) ± 10%. NOTE: Numerous hole patterns present in Mounting Bracket will accommodate Havis Motion Devices as well as most competitors'.



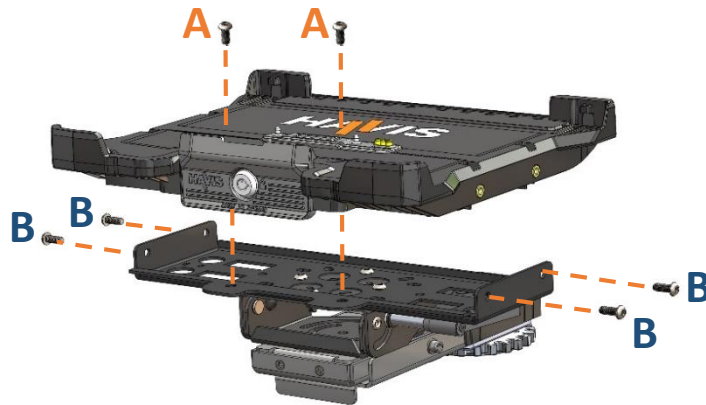
NOTE: We recommend applying a drop of medium strength (blue) thread locking adhesive to the threads of all fasteners.

- 2) Orient the Docking Station in a position that is comfortable to work with.
- 3) Install all cables that are necessary for computing needs. Use Zip Ties (Hardware Kit Item 1) to strain relieve cables to the Strain Relief Points, routing all cables together through the Cable Channel and out the rear of the Docking Station.

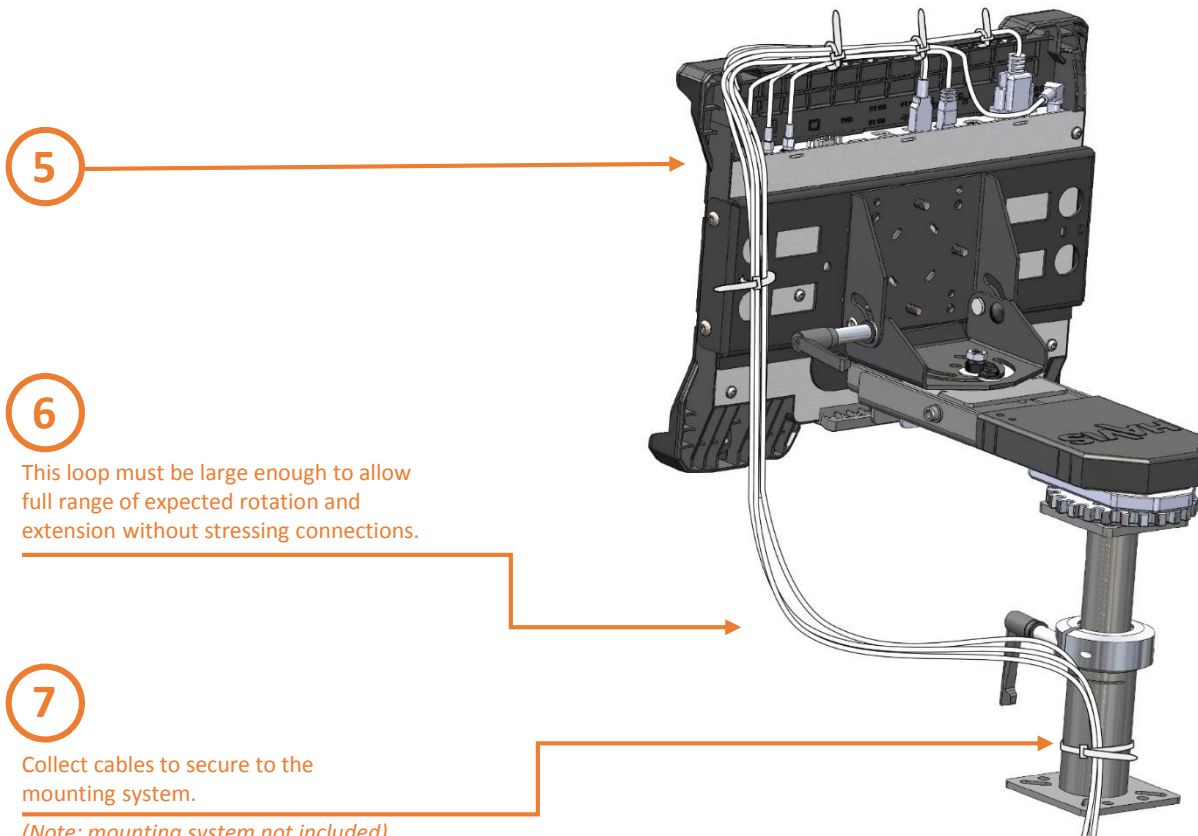


Installation & Cable Management *(continued)*

- 4) Lower the Docking Station to the Mounting Bracket as shown and secure with (6) 1/4" -20 x 5/8" long screws (Hardware Kit Item 3) in the order shown below. First secure the screws designated with the orange (A) then the remaining 4 fasteners (B). Ensure cable bundle remains in Cable Channel before securing. Torque screws to 80-in (9.0 Nm) \pm 10%.



- 5) Secure cable bundle to the Mounting Bracket with a supplied Zip Tie.
- 6) Create a service loop with cable bundle to ensure that no tension is on the connectors and to enable intended range of motion.
- 7) Tie off cables onto a stationary part of the mounting system.
(Mounting system not included with Docking Station)

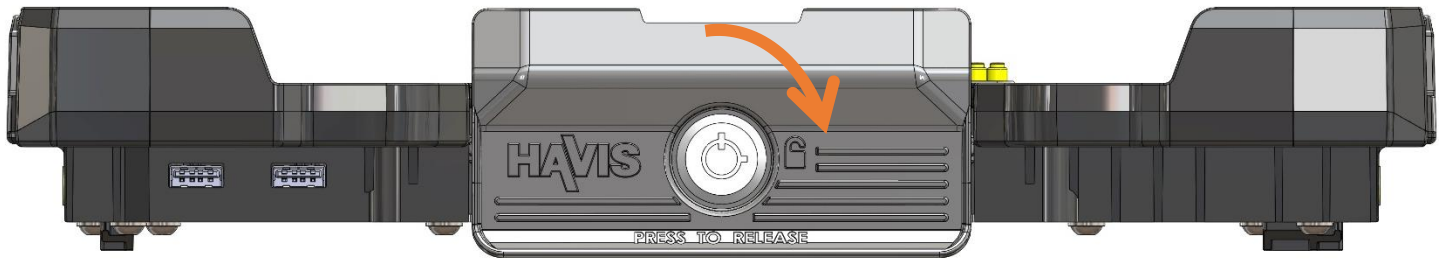


Operation - Docking

CAUTION

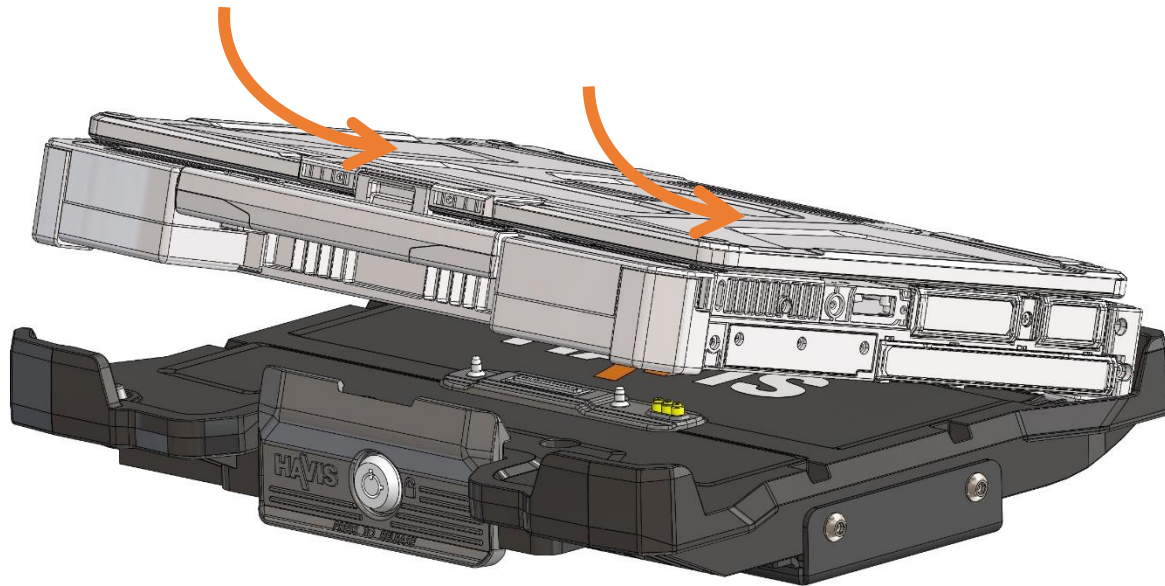
DO NOT FORCE LAPTOP ONTO DOCKING STATION. IF THERE IS RESISTANCE, CHECK ALIGNMENT OF LAPTOP ON DOCKING STATION.

- 1) Ensure the Docking Station is unlocked.

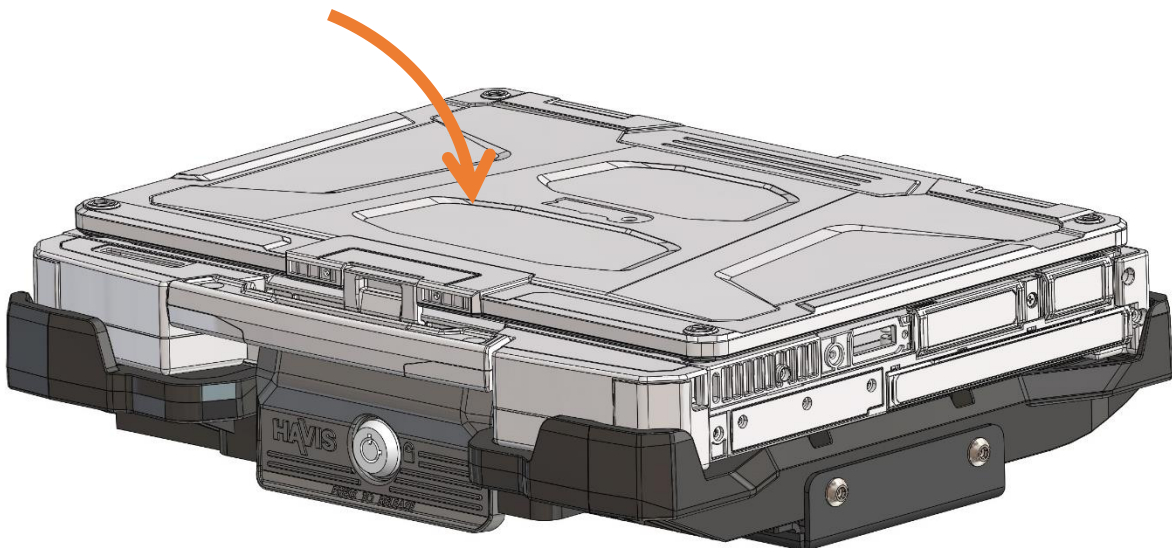


Operation - Docking (continued)

- 3) With the front of computer elevated, load rear of computer into Docking Station ensuring the computer's rear hook pockets align with the Rear Hooks of the Docking Station as shown.



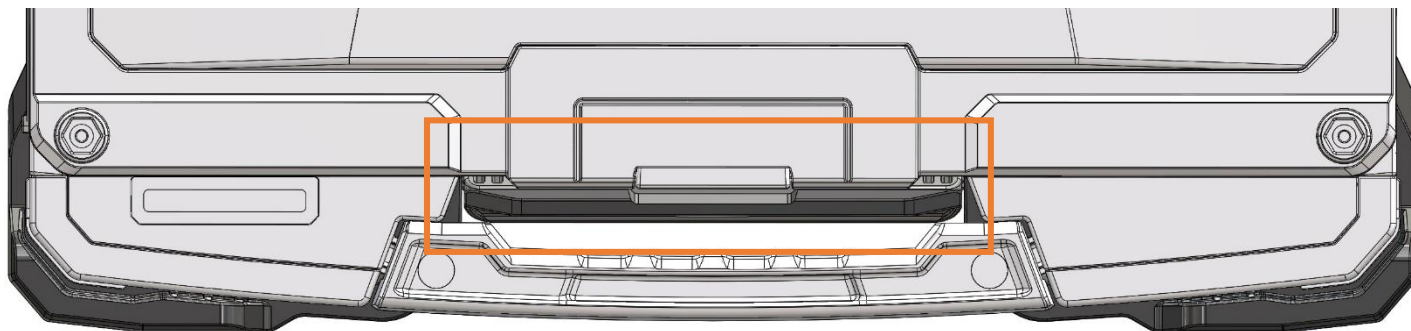
- 4) Lower front of computer onto Docking Station, ensuring computer properly aligns with the front fence on the Docking Station. Apply downward pressure to the front of computer, until Front Hooks on Docking Station snap into place and secure the computer. Ensure Front Hooks are fully engaged by trying to pull up on the laptops handle.



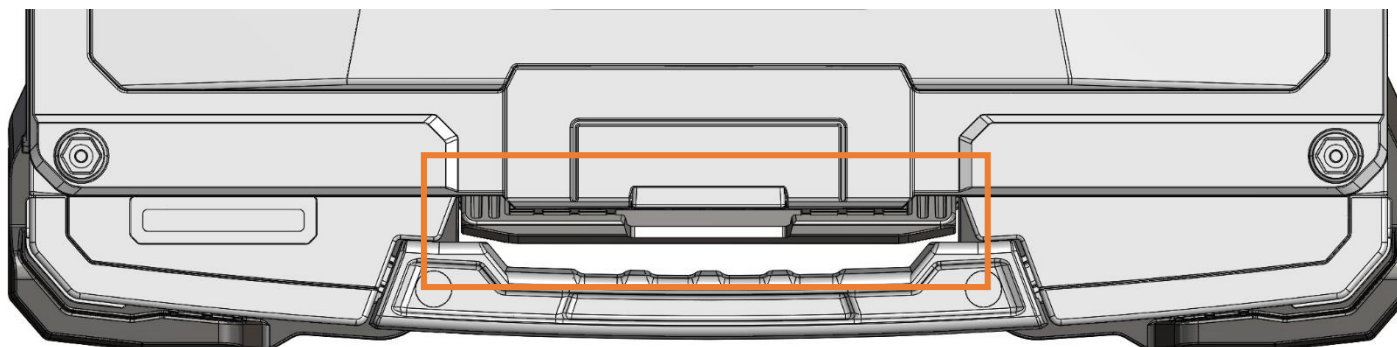
Operation - Docking (continued)

5) Ensure latch hooks are fully engaged. Pictured below

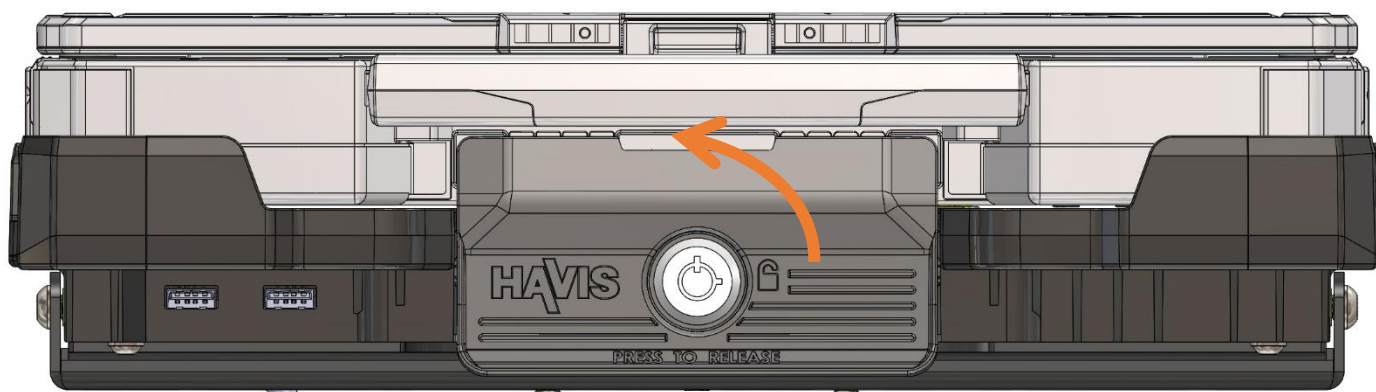
Fully Latched



NOT Fully Latched, must re-dock the laptop

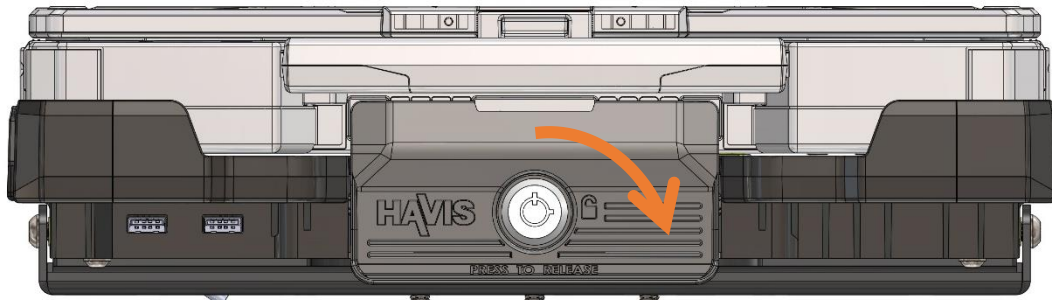


6) For theft deterrence, secure computer by locking Docking Station with supplied key (Hardware Kit item 2).

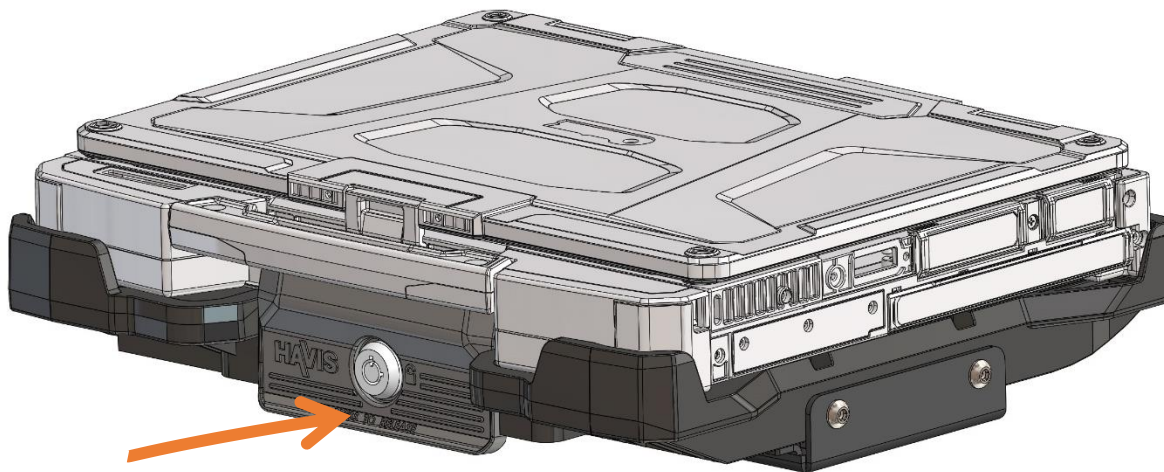


Operation - Undocking

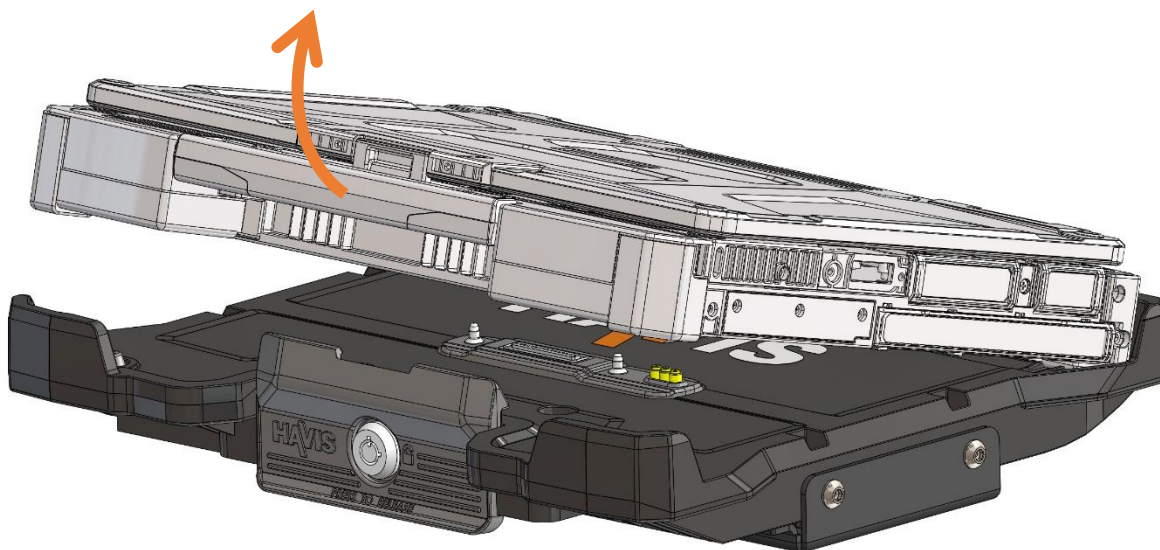
- 1) If previously locked, unlock Docking Station using supplied key (Hardware Kit item 2)..



- 2) Unlatch computer from Docking Station by pushing on the Release Handle in the direction shown below. Once unlatched the computer will rise above the front latch hooks.



- 3) Once unlatched grab laptop from carry handle or each side and carefully lift out of Docking Station.



Related Products

Havis offers a wide variety of accessory products specifically for use with your Docking Station. For more information or to order, please visit www.havis.com.



LPS-140

120W Power Supply

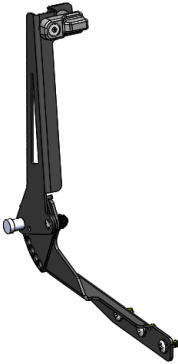
External in-vehicle power supply and cable for Getac B360 Convertible Laptop with cigarette lighter adaptor.



LPS-211

Power Supply Mounting Bracket

Mount a power supply directly to your Docking Station with this versatile bracket.



DS-DA-418

Screen Support

Secure your laptop screen to prevent excess wear and reduce vibration while in use.



DS-DA-231 & DS-DA-232

Card Reader Mounting Brackets

Mount an E-Seek M250/260 card reader, or Magtek card reader to the side of the Docking Station.



DS-DA-501

Replacement Keys

Set of two (2) replacement keys for DS-GTC-1200 Series Docking Stations.