

IEEE 488/GPIB BUS INTERFACES

4823B GPIB ↔ PARALLEL DIGITAL INTERFACE

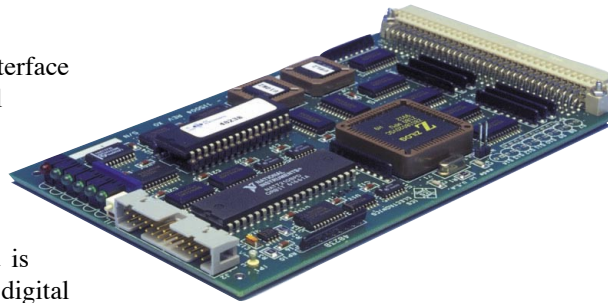
DESCRIPTION

The Model 4823B GPIB <-> Digital Interface Board is an IEEE-488.2/GPIB to digital interface with 56 I/O lines that can be used to easily adapt devices with digital signals to the IEEE-488/GPIB or HP-IP bus. In a typical application, the 4823B is located inside the device chassis and is powered by the device's +5 volt power. All digital signal connections are on a 96-pin right-angle DIN connector at one end of the card. A 26-pin header on the other end of the 4823B contains the GPIB Bus and address switch input signals. The header connects to a companion GPIB Connector/Address Switch Board that mounts a GPIB Connector and Address Switch on the rear panel of the chassis.

4823B boards are also available with optional vertical and circuit-side DIN connectors to facilitate piggybacking the 4823B on a larger PC board. The 4823B's pinouts match the first 56 pins of ICS's earlier 4823A card so that the 4823B can be used as a replacement for the 4823A in applications that use no more than 56 I/O lines.

Versatile Digital Interface

The 4823B's digital interface is configured with commands from the GPIB Bus. The configuration commands permit the user to designate the data lines as inputs and/or outputs in 8-bit byte increments, connect bytes into strings, set data polarity, data format, and handshake modes. The user can set the output lines to his desired values and save the current configuration in the 4823B's Flash memory. The saved configuration becomes the new power-on configuration. At power turn-on, the Digital I/O lines are initially tristated and then set to the saved configuration. A Stable signal is asserted after the digital I/O lines are configured to enable external logic or relays.



4823B Interface Card

Data Transfer Methods

Data transfer between the computer and the 4823B's digital interface can be by individual bits, by bytes or as strings of data values to multiple bytes as shown in Figure 2.

- Bit commands set or reset specific bits in a byte or query a bit's status. New pulse commands let the user pulse single or multiple output lines in one command.
- Byte commands set all 8 bits in a specific byte or read data from a byte.
- String transfer commands send strings of data characters to one or more output bytes to make a multi-byte output word or read a string of data from one or more input bytes. The user designates these bytes as inputs or outputs when he configures the board.

The 4823B has three address modes. In the Single Address Mode, the user can set the 4823B's configuration and transfer data as described above. In the Dual Primary or Single Primary-Dual Secondary Mode, the lower address behaves like the Single Address Mode. The upper address transparently passes strings of data to the configured output bytes or reads data from configured input bytes. The data is sent or read without having to parse any commands, eliminating the parsing time and speeding up the data transfer.

- **A flexible interface between the IEEE 488 Bus and devices with digital signals.**
- Provides a user-definable, 56-line parallel interface with bit, byte, pulse, string and binary data transfer capabilities. *Fully configurable to the user's needs by bus commands.*
- High-current drivers and input pullup resistors. *Drives more devices, longer lines and inputs CMOS signals or switch contacts.*
- Signal monitor feature detects and reports signal changes on 15 inputs. *Relieves controller of time consuming polling.*
- Device configuration, user's IDN message and bus address stored in Flash. *Stored setup eliminates program initialization statements.*
- Lock feature prevents accidental loss or change of user configuration. *Protects your configuration and IDN message.*
- Packaged on 3U VME size card with 4823A pinouts. *Can be used to replace 4823A cards in 56 line applications.*

 RoHS Compliant

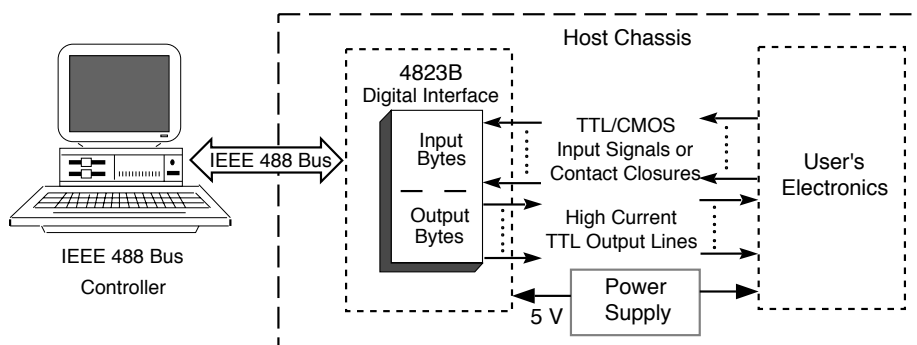


Figure 1 A typical 4823B Application



7034 Commerce Circle
Pleasanton, CA 94588
Phone: 925.416.1000
Fax: 925.416.0105
Web: www.icselect.com

Controlling the Digital Interface Bytes

Figure 2 shows the different ways the 4823B can be used to transfer data. The arrows show the data direction. The user can use SCPI or ICS's Short Form commands to control the digital interface. Short form commands are used in Figure 2 for brevity.

The bit, byte and pulse commands automatically set the data direction for their data bytes. Bit command examples are Close, Open and Read which operate on bits in bytes 1 and 2. All eight bits in byte 3 are written by the BO3 command. Data strobes can be manually generated if needed. Pulse commands can be used to pulse an output bit to its logically on level. All eight bits in byte 4 are read by the BI4? query. The user can set the data polarity on a bit or byte basis for all of the bytes controlled by the bit and byte commands.

String commands can transfer 1 to n bytes of data at a time. String commands only work on data bytes that are pre-configured as input or output bytes by the CONFigure commands. The user can configure 1 to n bytes as inputs and/or as outputs to make data words up to 56-bits wide. Figure 2 shows two bytes (bytes 5 and 6) configured as outputs and two bytes (bytes 7 and 8) configured as inputs. All 16 bits in bytes 5 and 6 are output by the PO command. A data strobe is automatically generated when data is outputted by a string command. The PI? query reads 16 bits of data from bytes 7 and 8. The user can select the data format, data polarity, data strobe polarity and handshaking for the string commands.

The setup configuration and output data values can be saved at any time. The saved configuration and output values become the new power turn-on default values and are restored when the unit is reset or when power is turned on. This allows a user to set the output signal states at power turn-on time.

Binary Data Transfer

The binary data transfer mode can be used to quickly output large blocks of data to test devices or to load signal generators. The user configures the desired output bytes, sets the listen format to binary and enables either dual address mode. The 4823B is then addressed at its upper GPIB address and the binary data is outputted to the 4823B. The 4823B latches each bus character in a separate output byte and then pulses the data strobe when all bytes have been loaded. This sequence repeats until all of the data has been transferred.

Input Signal Monitoring

The 4823B can monitor up to fifteen of the digital inputs for signal changes and generate an SRQ to notify the Bus Controller when changes occur. Monitoring is done by setting the 4823B's Questionable Transition register to detect positive and/or negative signal transitions and enabling bits in the Questionable Event register. When the enabled bit(s) are detected, the 4823B generates an SRQ to alert the Bus Controller to the event. The user can query the 4823B's Questionable Registers to determine the input signal states and which signal changed state. See Application Bulletin 48-18 for more details and a program example.

Controlling the 4823B

Figure 3 shows the 4823B's configuration and data transfer commands as a SCPI Command Tree. Each SCPI command has a corresponding Short Form command which can be used for quick

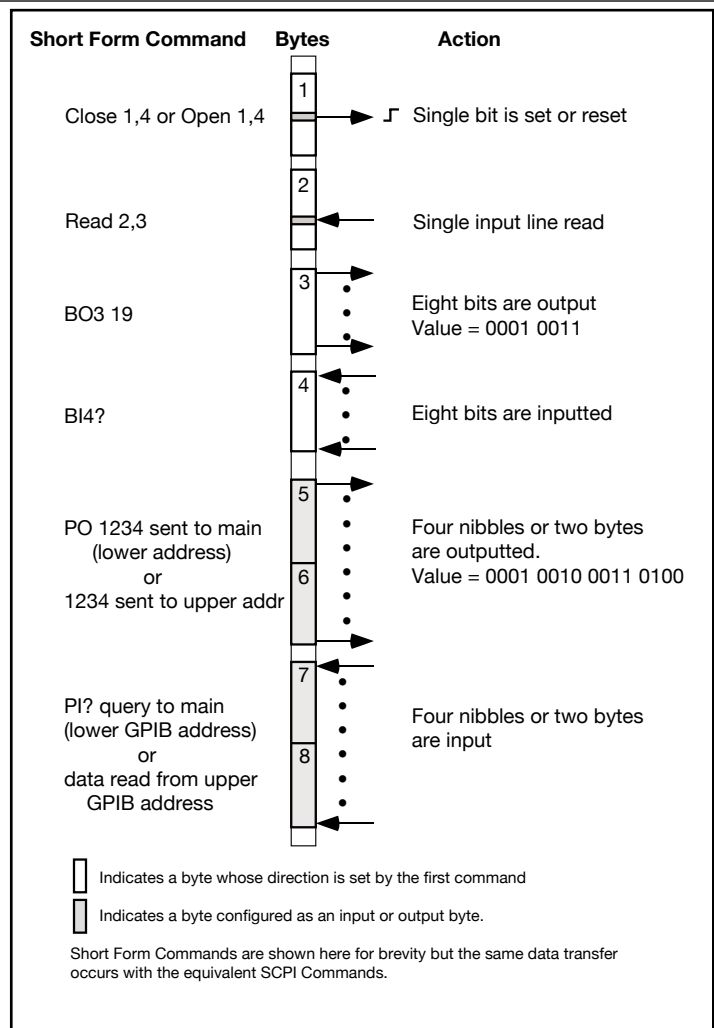


Figure 2 4823B Digital Interface Data Transfer Methods
 (Figure shows 8 bytes for illustration purposes. Actual 4823B only has 7 bytes)

programming. Most of the functions can also be queried to verify the command setting. (i.e. IPn? reads back the byte's polarity setting)

The ROUTe Bit Commands let the user set/reset individual bits in an output byte and the SOURce Output byte commands latch an 8-bit value into a specific output byte without pre-configuring the bytes. Data Strobes can be manually generated if needed. ROUTe: PULS or ROUTe:PULSe:CHAN commands pulse any output line. Pulse width is set by the ROUTe:PULSe:WIDTh command.

SOURce Output string commands can send strings of data to bytes that have been pre-configured as outputs (with the CONFigure command) and generate a data strobe with a single command. The data format is controlled by the FORmat command. Transparent data transfer is possible in the Dual Address Mode where bytes from the GPIB bus are formatted and outputted to the previously configured output bytes.

SENSe Bit commands read the state of a specific bit in an input byte and the SENSE byte commands read data from a specific byte.

SENSe String Commands read data from bytes that have been pre-configured as input bytes by the CONFigure command. The data format on the GPIB bus is controlled by the FORmat command.

The CALibrate Commands let the user personalize the 4823B with his own IDN string, lock settings to prevent changes and reset the unit to the factory settings.

4823B: APPLICATION

4823B Connections

The 4823B has a connector for the Digital interface and a separate connector for the GPIB signals and Address inputs.

The Digital I/O connector, J1, is a 96-pin right-angle male DIN connector that contains the 4823B's digital I/O and power signals. The 4823B's pinouts are the same as the first 56 lines of ICS's older 4823A Interface Card. Mating DIN connectors are available with solder eyelet, or solder pins. 4823B boards are also available with a male DIN connector mounted vertically on the component side or with a female DIN connector mounted vertically downwards on the circuit side of the board so the 4823B can be mounted on a larger PCB assembly.

The GPIB connector, J2, is a 26-pin header that contains the GPIB bus and external address switch input signals. When the external address function is enabled, the 4823B reads its GPIB address from the rocker switch at power-on time. Connector J2 mates with ICS's GPIB Connector/Address Switch Board Assemblies which are small, business card size PC assemblies that mount a GPIB connector and an 8-bit Address rocker switch to the rear panel of a chassis. The assemblies have a flat ribbon cable which plugs into the header on the 4823B. Refer to the separate data sheet for styles, mounting dimensions and cable lengths.

4823A Replacement Concerns

The 4823B can be used as a pin-to-pin replacement for ICS's earlier 4823A if the following concerns are addressed:

1. The 4823A application used only the first 56 I/O lines.
2. The 4823A split inputs and outputs on 4-bit nibble boundaries while the 4823B splits the inputs and outputs on 8-bit byte boundaries.
3. The 4823A only did transparent data transfers so driver routines or test programs may need some alteration to work with 4823B's string transfer commands or with the 4823B's dual address modes if transparent data transfer is desired.
4. Digital I/O lines should not be tied to each other unless connected with a 470 ohm or larger resistor.

4823B Starter Kit

A 4823B Starter Kit is available for the first time GPIB user. The Starter Kit includes a 4823B Board, a GPIB Connector/Switch Board Assembly, mating DIN connectors, a GPIB bus cable, a 488-LPCI PCI card or a 488-USB2 GPIB Controller for the PC, 488.2 Drivers and software. The software package includes a keyboard command line program, a Visual Basic configuration program and example programs. Limit of one Starter Kit per customer.

OEM Customization

OEM customization can be as simple as presetting the 4823B's I/O configuration and replacing ICS's IDN message or more complex by adding special SCPI commands and functions to the 4823B's firmware. ICS can quote special firmware changes and a Software Development Kit is available for OEMs who want to modify the 4823B's firmware.

4823B SCPI COMMAND TREE

SCPI Commands	Short Form Cmds
SYSTEM	GPIB Settings
:COMM	
:GPIB	
:ADDRESS	1-30 [4]
:EXT	1(On) 0(Off) [0]
:MODE	SINGle DUAL SEC
CONFigure	Configure I/O
[:DIGital]	
:INPut	<channel list> N
:POLarity	0 1 TPn
:HANDshake	1(On) 0(Off) [1] TBn
:OUTput	<channel list> LN
:POLarity	0 1 LPn
:HANDshake	1(On) 0(Off) [0] LH
:CLEar	0 1 C
:EDR	0 1 E
:INHibit	0 1 I
:REMOte	0 1 R
:RESet	0 1 X
:STRobe	0 1 S
:TRIGger	0 1 TR
:ASTATus	0 1 A
:BSTATus	0 1 B
FORmat	
:TALK	<ASCIi Hex HEXL Table>
:TRANSlation	<16 char string> V
:LISTen	<ASCIi Hex HEXL BIN 4833>
ROUTE	Bit Commands
:CLOSe	byte,bit CLOSE
:OPEN	byte,bit OPEN
:RESEt	byte BRESEt
:PULSe	byte,bit PL
:CHANnel	number or channel list PC
:WIDTh	10-30000 [50] PW
SENSe	Input Data
[:DIGital]	
:DATA	
[:VALue]?	PI?
:PORT?	number or <channel list> BI?
:PORTn?	BIn?
:POLarity?	IPn
:RESet:EDR	ER
:BIT?	0-1 READ?
:BYTe?	0-255 BREAD?
[SOURce]	Output Data
[:DIGital]	
:DATA	
[:VALue]	0-255 PO
:PORTn	0-255 BOn
:POLarity	0-255 OPn
:STRobe	SP
CALibrate	Calibrate Configuration
:IDN	string (72 char max)
:DATE	mm/dd/yy
:DEFault	
:LOCK	1(On) 0(Off) [0]

Figure 3 4823B SCPI Command Tree

4823B: ORDERING GUIDE

Select from one of the three 4823B board styles and then pick your accessory items.

Part Selection	Qty	Part Number
Standard 4823B board with the digital I/O connector on the component side	(1)	4823B
Select one mating digital I/O connector - Solder eyelet	(1)	902023
Solder pins	(1)	902025
Select a GPIB Connector/Address Switch Assy - Horizontal style	(1)	113640-L
Vertical style	(1)	113642-L
Vertical style w/no sw	(1)	113643-L
Horizontal style w/no sw	(1)	113649-L
4823B board with the digital I/O connector on the circuit side (facing down) for mounting the 4823B on another PC board	(1)	114988
Select digital IO connector with solder pins for the mating PC board	(1)	902058
Select a GPIB Connector/Address Switch Assy - Horizontal style	(1)	113640-L
Vertical style	(1)	113642-L
Vertical style w/no sw	(1)	113643-L
Horizontal style w/no sw	(1)	113649-L
4823B board with a vertical digital I/O connector on the component side	(1)	114982
Select one mating digital I/O connector - Solder eyelet	(1)	902023
Solder pins	(1)	902025
Select a GPIB Connector/Address Switch Assy - Horizontal style	(1)	113640-L
Vertical style	(1)	113642-L
Vertical style w/no sw	(1)	113643-L
Horizontal style w/no sw	(1)	113649-L

Notes:

1. -L is the cable length in cm. You can order any length from 10 to 90 cm. Standard stocked lengths are: 30, 45, 60 and 90 cm. Select an appropriate length as it is best to not have extra cable coiled up in the chassis to minimize EMI pickup.

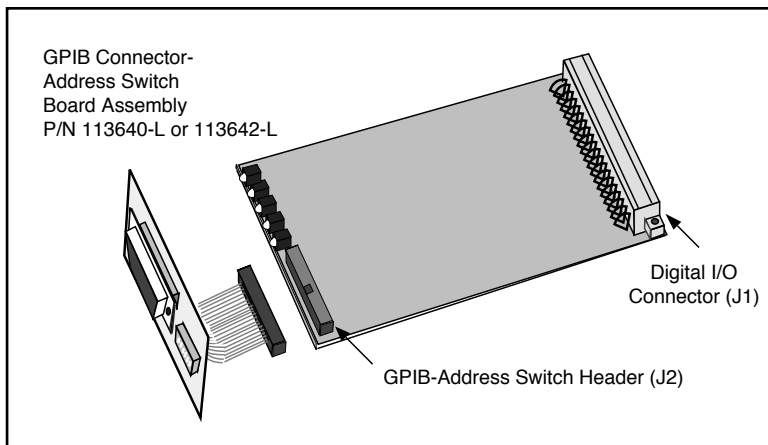


Figure 4 4823B Connection Method

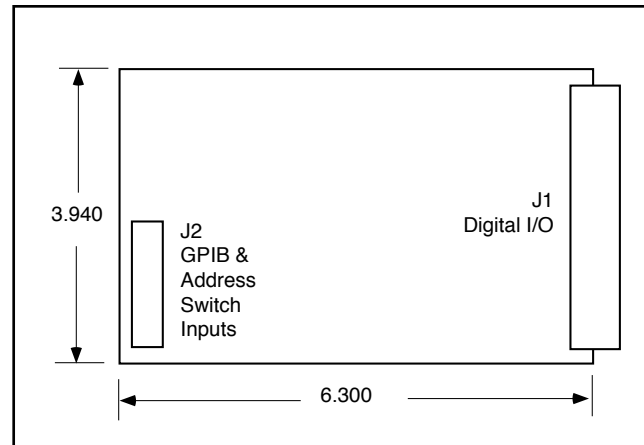


Figure 5 4823B Outline Drawing

4823B: SPECIFICATIONS

IEEE 488 Bus Interface

The 4823B's 488 Bus interface meets IEEE STD 488.1-1987 and has the following capabilities:

SH1, AH1, T6, L4, SR1, PP0, DC1, RL0, DT1, C0 and E2 drivers.

Address Capability

Dual primary addresses or single primary with secondary addresses 0 and 1. Primary address range: 0-30.

SRQ Generation

SRQs are generated if the unit is not a talker, if SRQs are enabled and if an Enabled Event Status Register bit or if a monitored digital input change occurs. Digital inputs monitored by the Questionable registers.

488.2 Common Commands

*CLS, *ESE, *ESE?, *ESR?, *IDN?, *OPC, *OPC?, *RCL, *RST, *SAV, *SRE, *SRE?, *STB, TST? and *WAI

SCPI Commands

Used to set and query all programmable functions. The 4823B conforms to SCPI 1994.0 Specification.

Table 2 Programmable Functions

GPIB Bus Address
Address mode
Input Bytes
Input Signal polarity
Input Handshaking
Talk data format
Talk data conversion table
Output Bytes
Output Polarity
Output Handshaking
Listen data format
Control line polarities
SENSE input polarities
SOURCE output polarities
STATUS register configurations

Signal Characteristics

The 4823B's parallel I/O signals have the following electrical characteristics. All time delays listed here are maximums, all pulse widths are minimums.

Inputs 56 Digital I/O ,
2 Status and Reset Inputs
Input High => +2.0 V @ ±10 μA
Logic Low = <0.8 V @ 250 μA
Levels with 33 Kohm pullup to +5 Vdc for sensing contacts.
Max high input = 5.5 V

Input External Data Inhibit line
Timing SETS within 1 μs of the active edge of the EDR Input signal and resets after data is loaded. Data loading time for 6 BCD/HEX characters is 0.15 ms (typ.) after the 4823B has been addressed as a Talker

Output High => 3 V with 3 mA source
Logic High => 2 V with 24 mA source
Levels Low = 0.0 to +0.55 Vdc, 48 mA sink

Output Data is transferred to the
Timing output 0.6 to 5.3 ms after receipt of a terminator depending upon transfer method.

Data Stb Output pulse width, 5 μs
Trigger Output pulse width, 5 μs
Remote Output level asserted when in the remote state
Reset Output pulse width, 40 μs for *RST command and true during 4823B reset time (70 ms)

Reset Inputs

The 4823B is reset by a low going pulse on the External Reset input line or by pressing a miniature push-button on front edge of the 4823B's PCB

Diagnostic Indicators

Six on board LEDs

PWR On when power applied
RDY On when self test passed
TALK On when addressed to talk
LSTN On when addressed to listen
SRQ On when asserting SRQ line
ERR On when ESR error bits set

Physical

Size, L x W x H
160 x 100 x 15 mm
(6.3 x 3.94 x 0.60 inches)

Connector and Headers

GPIB/Addr: 26-pin 3M 2526 male connector.
Digital I/O: 96-pin, 3 row male DIN connector

Temperature

Operation -10° C to +70° C
Storage -20° C to +85° C

Humidity

0-90% RH without condensation

Power +5 Vdc @ 400 mA (typical)

Included Accessories

Instruction Manual
Configuration CD with sample programs

Available Accessories

Refer to the Ordering Guide on page 4 for a complete list of accessory items.

GPIB Connector/Addr Sw Assemblies with flat-ribbon cables are described on the GPIB Connector/Switch data sheet.

Mating DIN Connectors:

P/N 902023 Solder Eyelet
P/N 902025 Dip Solder
P/N 902058 Male Dip Solder

ORDERING GUIDE

	Part Number
IEEE 488.2 to Parallel Digital Interface Board (Includes Instruction Manual and Configuration CD)	4823B
IEEE 488.2 to Parallel Digital Interface Board (Board only)	115002
IEEE 488.2 to Parallel Digital Interface Board with vertical connector, Manual and Configuration CD	114982
IEEE 488.2 to Parallel Digital Interface Board with vertical connector (Board only)	114983
IEEE 488.2 to Parallel Digital Interface Board with circuit side connector, Manual and Configuration CD	114988
IEEE 488.2 to Parallel Digital Interface Board with circuit side connector (Board only)	114989
4823B Starter Package with 4823B, 488-LPCI, Bus Cable, GPIB Connector/Switch Bd, and Connectors	114999-01
4823B Starter Package with 4823B, 488-USB2, Bus Cable, GPIB Connector/Switch Bd, and Connectors	114999-02